



IP camera

SV-BA314-E rev.B


User manual


Firmware version Version 1.9.3

Contents

1	Notes and warnings	3
2	Product description	4
2.1	Technical specifications	4
2.2	Design	6
2.2.1	Top view	6
2.2.2	Front view	7
2.2.3	Side view	7
2.2.4	Base view	8
2.2.5	Cable design	8
2.3	Delivery package	9
2.4	Reset to factory settings	9
2.5	Operating conditions	9
3	Device installation	10
3.1	Selecting the camera location	10
3.2	Mounting using a bracket	10
4	Device management via the web interface	15
4.1	Getting started	15
4.2	"Watch" tab	15
4.3	"Archive" tab	16
4.4	"Settings" tab	17
4.4.1	"Device Information" menu	17
4.4.2	"System Settings" tab	18
4.4.3	"Video/Audio Settings"	21
4.4.4	"Network" menu	27
4.4.5	"Archive Settings" menu	30
4.4.6	"Video Analytics" menu	32
4.4.7	"Storage Settings" menu	35

1 Notes and warnings

 Notes contain additional information on using and configuring the device.


 Tips contain important information, tips or recommendations on device operation and setup.

2 Product description

SV-BA314-E rev.B is a camera designed for real-time video surveillance. Due to the QuadHD resolution, the transmitted image is clear and detailed. PoE technology allows installing the camera everywhere, regardless of the location of the power supply. It also saves on the cost of power cables and makes the installation simple and not time-consuming.

Features and capabilities:

- Night vision provides clear images even in low-light conditions.
- Motion detection notifies you of events as they occur.
- Video archive provides options for saving recordings: to a memory card for local storage or to network storage¹. If the local storage fails, all recordings will remain available on the network storage.
- PoE power supply.

 ¹ Support for the function of saving records to network storage is under development.

2.1 Technical specifications

Interfaces	
Ethernet	1 × 10/100BASE-T (RJ-45), support for PoE
Memory card	1 × MicroSD/SDHC/SDXC up to 512 GB
Network	
Protocols	TCP/IP, UDP, ICMP, HTTP, HTTPS, SSL/TLS, QoS, DHCP, DNS, RTP, RTSP, RTMP, NTP, SMB, NFS, TFTP
API	ONVIF (Profile S, Profile T), WSS API
Security	password protection, complex password, HTTPS encryption, WS-Username token, WS-Username basic for ONVIF, TLS1.3
User/host	up to 10 users, 2 user levels: administrator, operator
Operating system	
Linux SDK	
Sensor	
Type	1/2,7" progressive scan CMOS
Effective pixels	4 MP
Lens and illumination	
Focal distance	2.8 mm

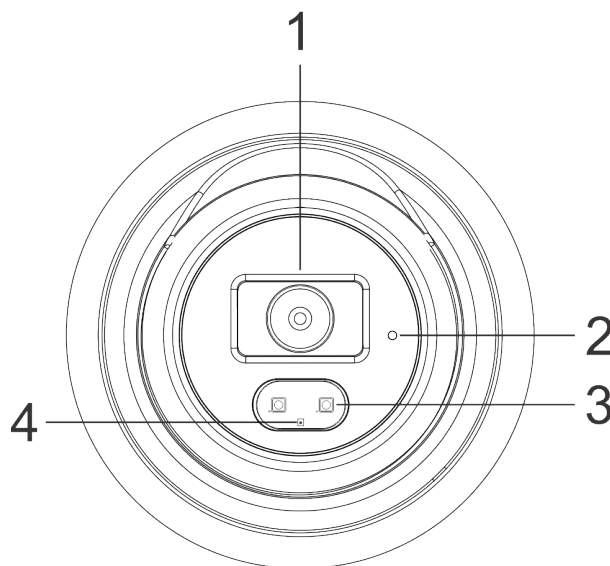
Aperture	F/2.0
Field of view (horizontal)	112°
Field of view (diagonal)	134°
Field of view (vertical)	60°
Angle adjustment (tilt)	from 0° to 90°
Angle adjustment (rotate)	from 0° to 360°
IR illumination	yes
IR range	up to 40 m
Image	
Image	color
Maximum resolution	2560 × 1440
Maximum frame rate	main stream: 5–30 frames per second (2560×1440, 1920×1080, 1280×720); secondary stream: 5–25 frames per second (1920×1080, 1280×720, 960×540, 640×360)
Bit rate	from 512 Kbps to 10 Mbps
Video compression	H.264, H.265
Image quality improvement	DNR 2D/3D, DWDR, BLC, AE, AWB, HLC, ANTI-FLICKER, DEFOG
Signal-to-noise ratio	no less than 50 dB
Minimum illumination	color: 0.01 lx, bw: 0 lx with IR
Audio	
Built-in microphone	yes
Audio compression	PCM, G.711A (PCMA), G.711U (PCMU), AAC, MP2, MP3
Voice pickup distance	up to 5 m
Physical specifications	
Power supply	12 V DC, PoE 802.3af (Mode A, Mode B)
RAM	128 MB

ROM	32 MB
Housing	metal, plastic
Form factor	dome camera
Mount options	indoor and outdoor
Dimensions (W × H × D)	90 × 110 mm
Weight	0.39 kg
Operating temperature	from -40 to +60°
Operating humidity	no more than 90 % (non-condensing)
Ingress protection	IP67
Lifetime	no less than 5 years

2.2 Design

2.2.1 Top view

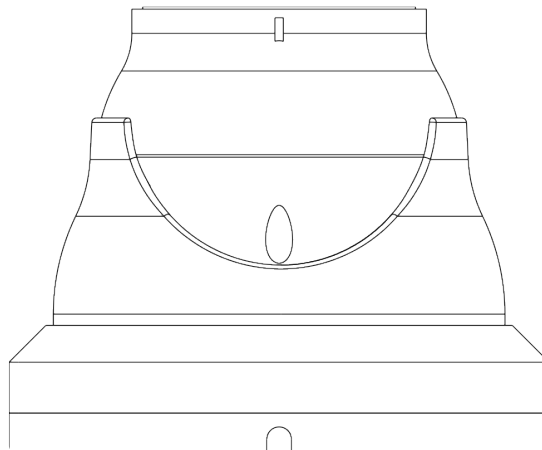
The top view of the camera (lens upwards) is shown in the figure below.



No	Description
1	Lens
2	Microphone
3	LED lighting
4	Light sensor

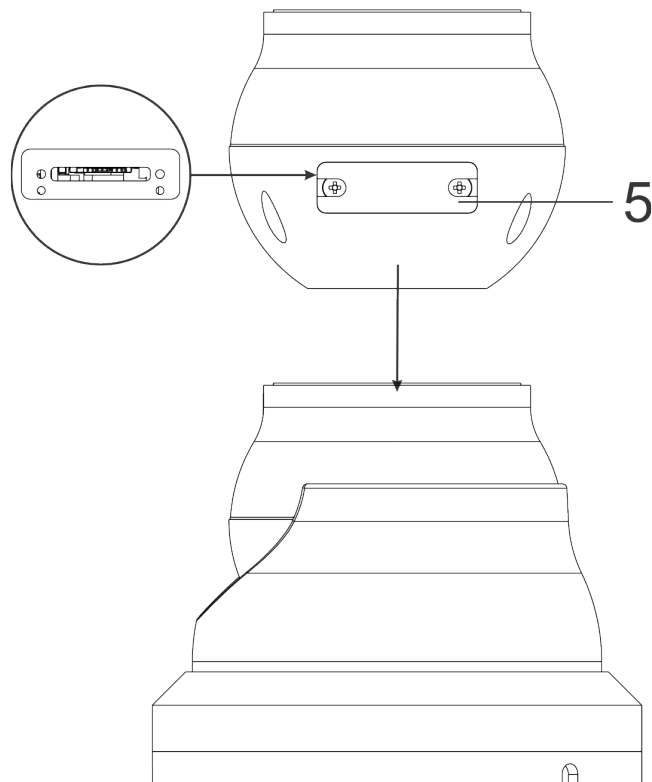
2.2.2 Front view

The front view of the camera is shown in the figure below.



2.2.3 Side view

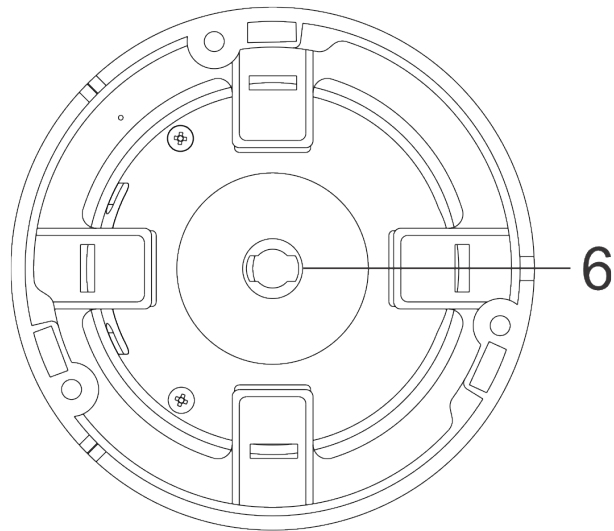
The side view of the camera is shown in the figure below.



№	Description
5	MicroSD card slot

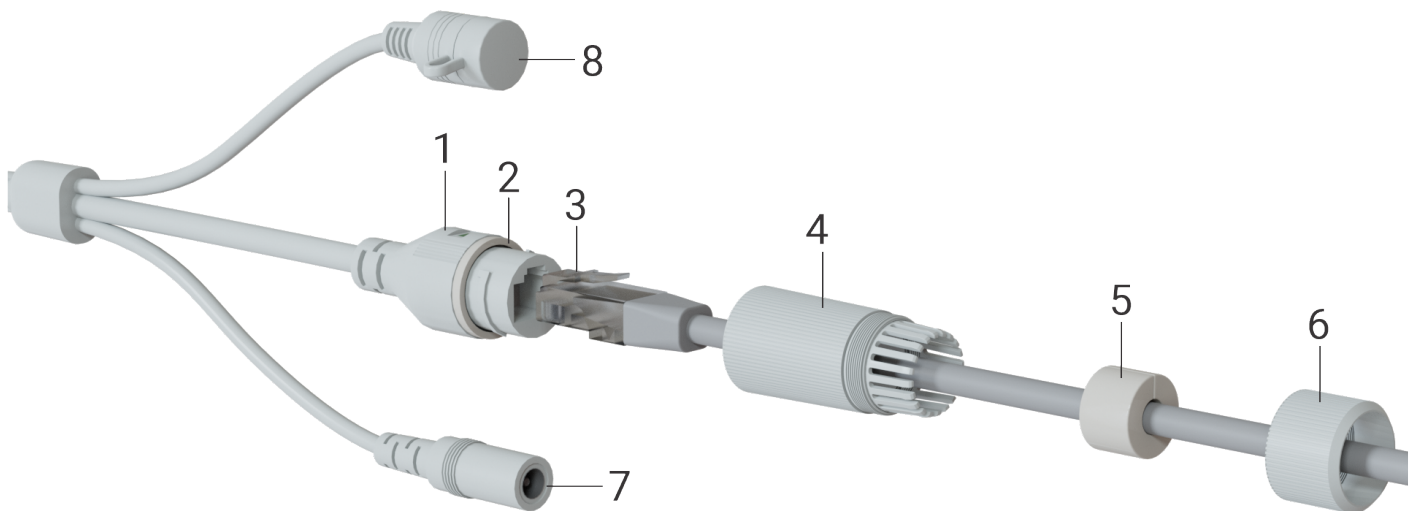
2.2.4 Base view

The base view of the camera is shown in the figure below.



No	Description
6	Cable hole

2.2.5 Cable design



No	Description
1	Network interface

№	Description
2	Sealing ring
3	Ethernet cable
4	Cable gland
5	Waterproof ring
6	Locking nut
7	Power adapter connector
8	Reset button

2.3 Delivery package

SV-BA314-E rev.B standard delivery package includes:

- SV-BA314-E rev.B IP camera;
- Mounting kit;
- Case mounting template;
- Cable gland;
- Installation and initial configuration guide.

2.4 Reset to factory settings

There are two ways to perform a factory reset:

- **Software reset.** In the device web interface, enter "System settings", select "Configuration" and click "Reset to Factory Default Settings".
- **Hardware reset.** The reset button is located on the cable. Remove the protective cap, then press and hold the reset button for three seconds. The camera will then reboot.

2.5 Operating conditions

- The camera is designed for indoor and outdoor usage.
- Do not install the device near heat sources.
- Do not expose the device to smoke, dust, water or other liquids. Do not mechanically damage the device.
- Do not open the device case. There are no user-serviceable elements inside the camera.
- At the end of its service life, do not dispose of the camera with normal household waste. Take it to an electronics recycling center.

3 Device installation

3.1 Selecting the camera location

1. Determine the areas that need to be monitored. Consider that entrance doors, windows, and various objects may obstruct the camera's field of view and reduce it.
2. Pay attention to the lighting where the camera is installed to ensure a clear image. Avoid direct sunlight and other bright light sources directed at the camera lens. Also consider light sources that may create shadows or glare in the image.
3. Consider the location of the power supply. The use of extension cords or additional cables is not recommended, as this may impair the quality of the power supply.

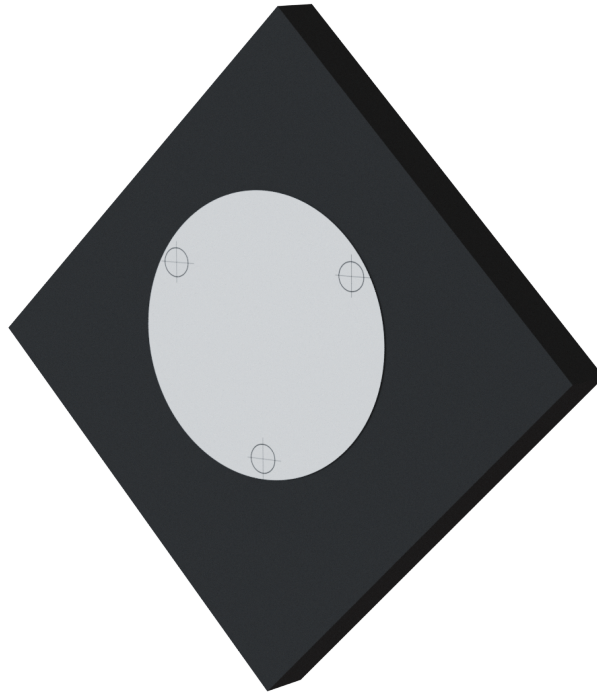
3.2 Mounting using a bracket

✔ The unit can be mounted on walls and ceiling.

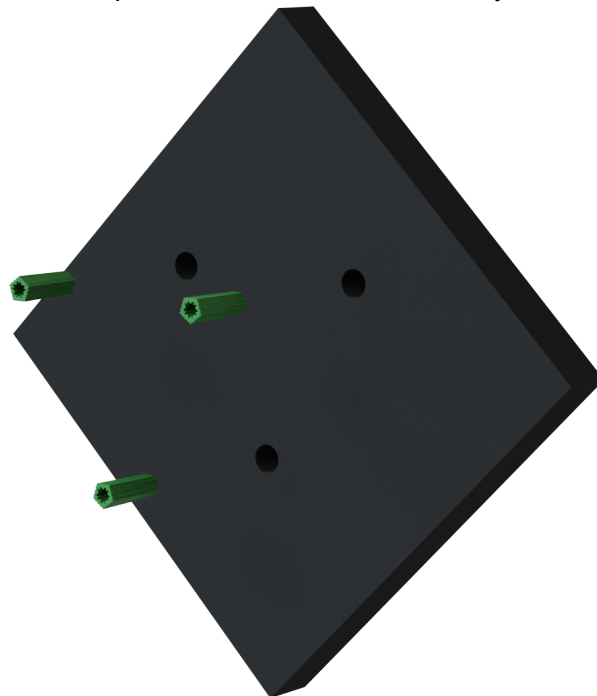
1. Select a location for the camera based on the recommendations in the "Selecting a camera location" section.
2. On the selected surface, mark where the four holes for the bracket will be drilled. Use the supplied template for this purpose.



3. Separate the template from the backing and stick it to the wall.



4. Drill four holes according to the template. Use dowels if necessary.



5. Align the holes on the wall with the holes on the bracket and fix the camera with screws. To adjust the rotation of the camera, loosen the screw at the base of the camera. Adjust the position, then secure the screw again.



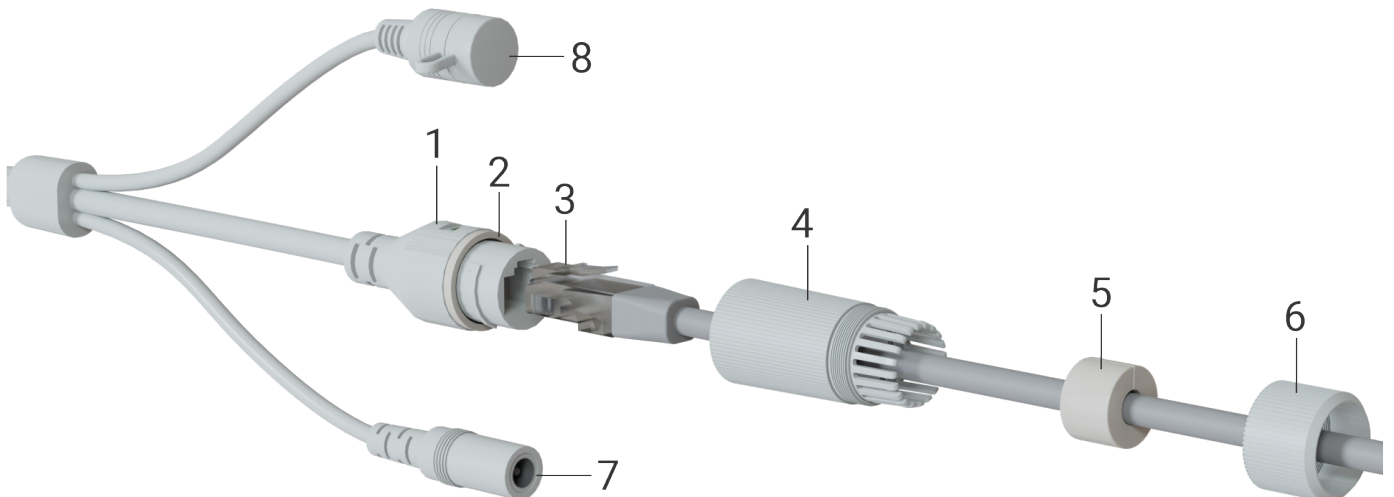
6. Place the plastic ring over the camera, aligning the tabs with the slots on the camera housing. Twist the ring until it stops.



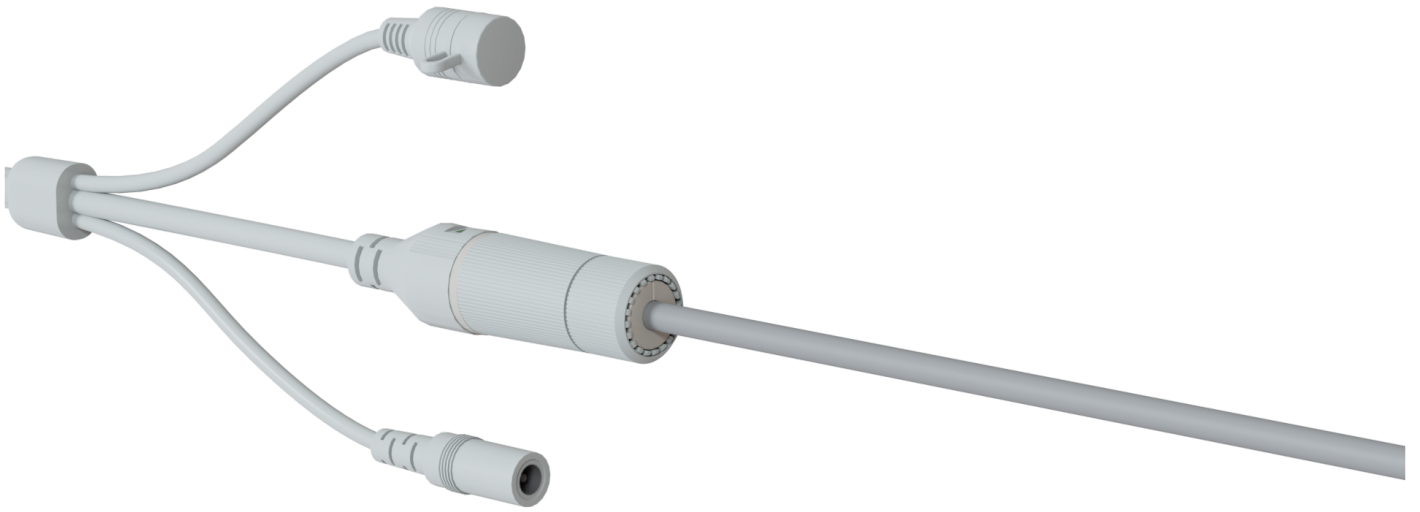
A view of the camera placed on the wall is shown in the figure below.



7. Connect the Ethernet cable in the order shown in the image below: slide the O-ring (2) over the sealing cap of the network interface (1). Place the locking nut (6) and the cable gland (4) on the Ethernet cable (3). Insert the Ethernet cable (3) into the network interface. Tighten the cable gland (4) and fix it to the sealing cap (1). Slide the waterproof ring (5) over the sealing ring (4). Make sure that the ring fits snugly over the connector. Tighten the locking nut (6) and fix it to the cable gland (4). Once the Ethernet cable is connected and insulated, connect the power cable to the power connector (7).



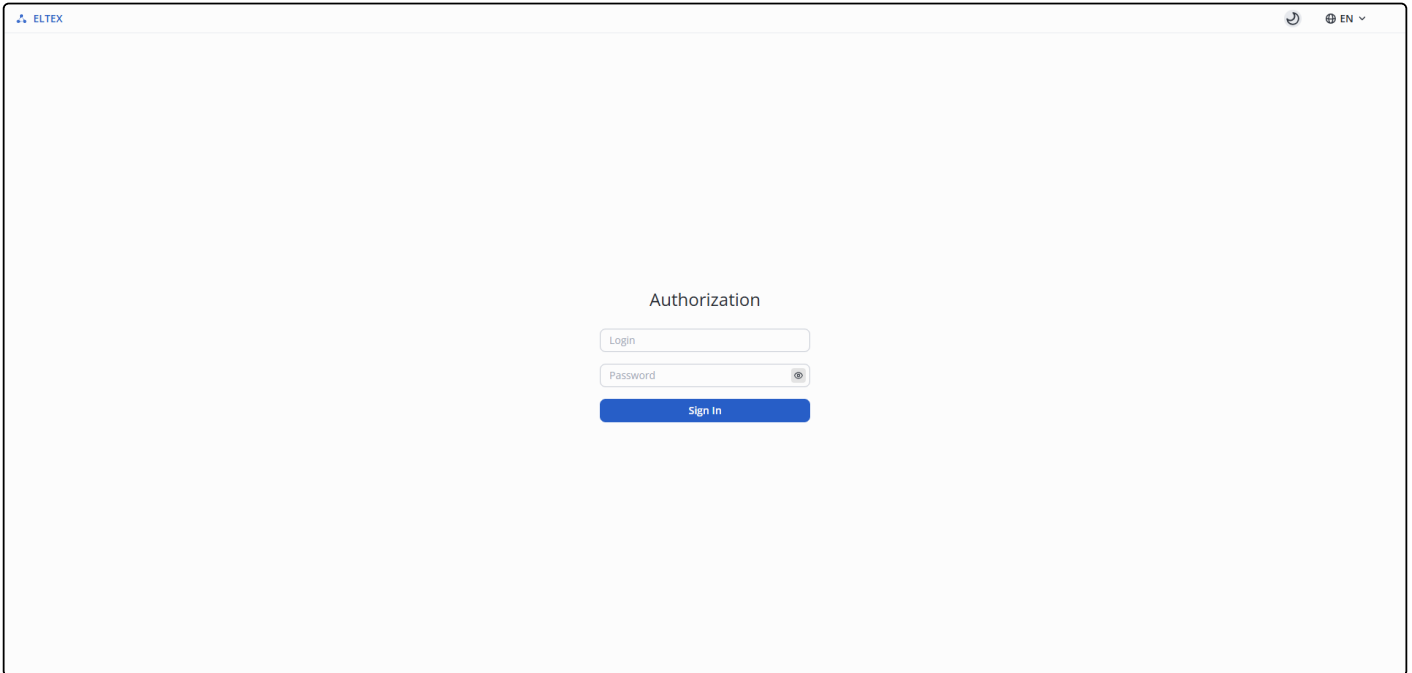
The assembled cable is shown in the figure below.



4 Device management via the web interface

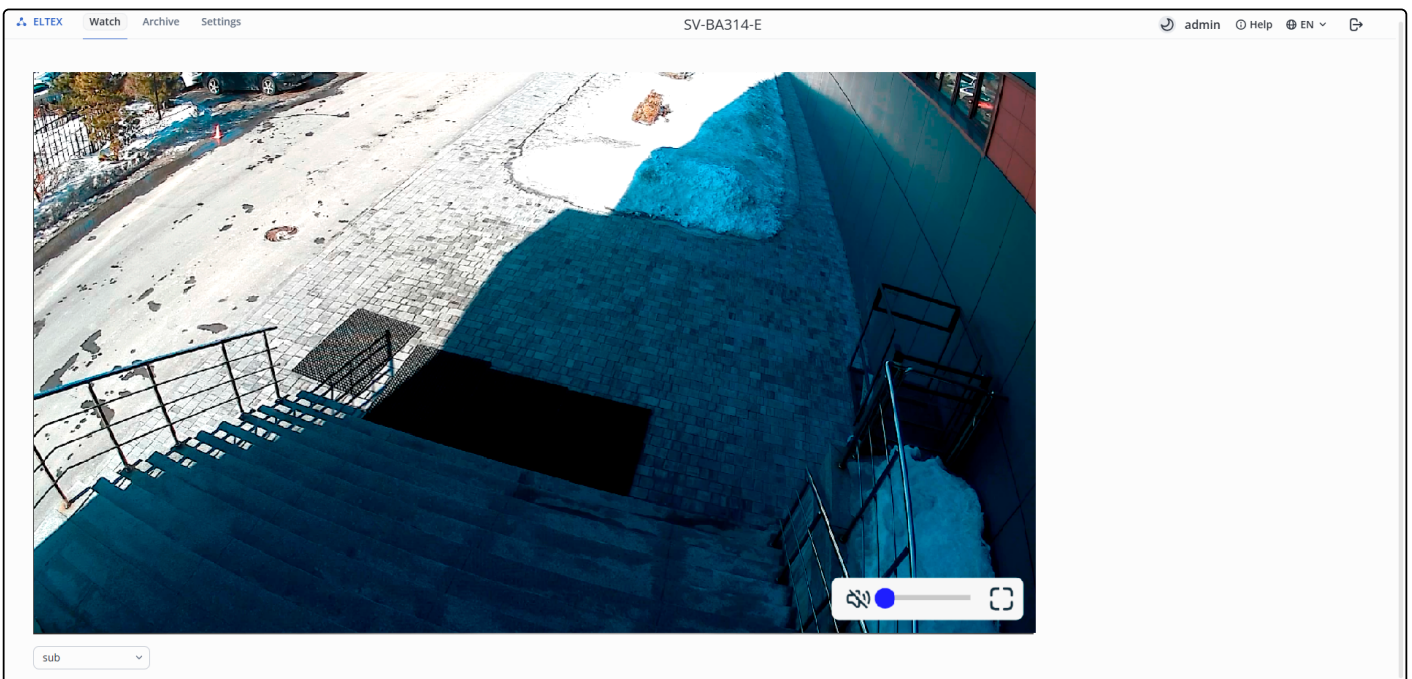
4.1 Getting started

1. Connect the camera to the local network.
2. Open a web browser and enter the device's IP address obtained from the DHCP server in the address bar.
3. The authorization page will be displayed in the browser window. Enter the username and password in the appropriate fields. (By default, the login is admin, the password is password).



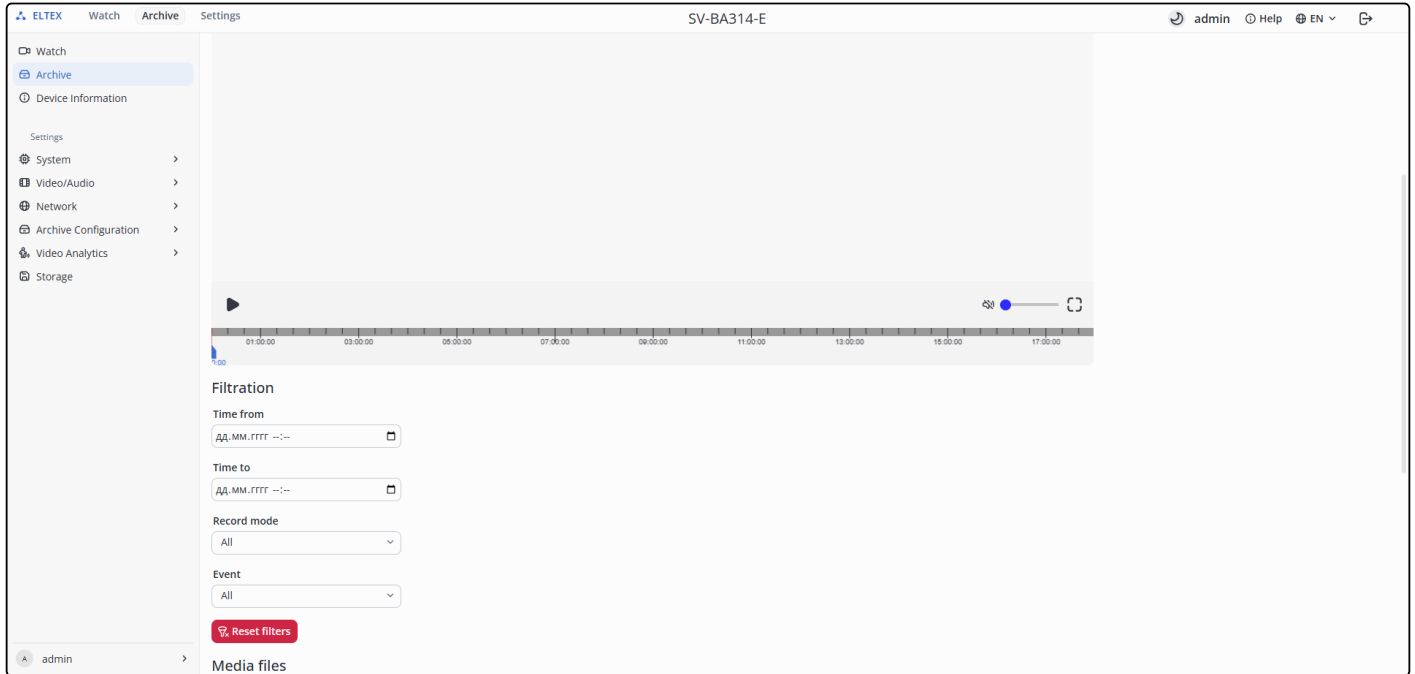
4. Click the "Sign in" button. The "Watch" page will open in the browser window.

4.2 "Watch" tab



- **Streams:**
 - *Main* – main stream, has better broadcast quality;
 - *Sub* – secondary stream, has average broadcast quality;
 - *Mob* – mobile stream, has low broadcast quality.

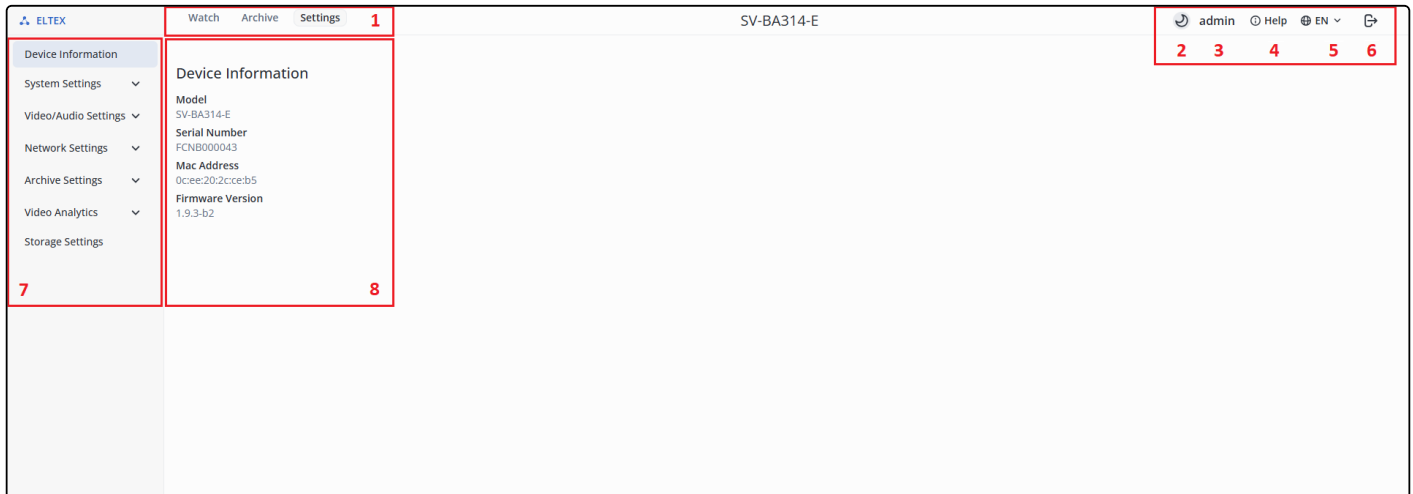
4.3 "Archive" tab



- **Filtration** – searching for records by specified parameters.
 - *Time from* – filtering media files recorded starting from the specified date and time;
 - *Time to* – filtering media files recorded up to the specified date and time;
 - **Record mode:**
 - *All* – displaying all media files;
 - *Permanent recording* – displaying media files with the "Permanent recording" mode;
 - *Event recording* – displaying media files with the "Event recording" mode.
 - **Event:**
 - *All* – displaying all media files;
 - *Motion* – displaying media files with the "Motion" recording mode.

4.4 "Settings" tab

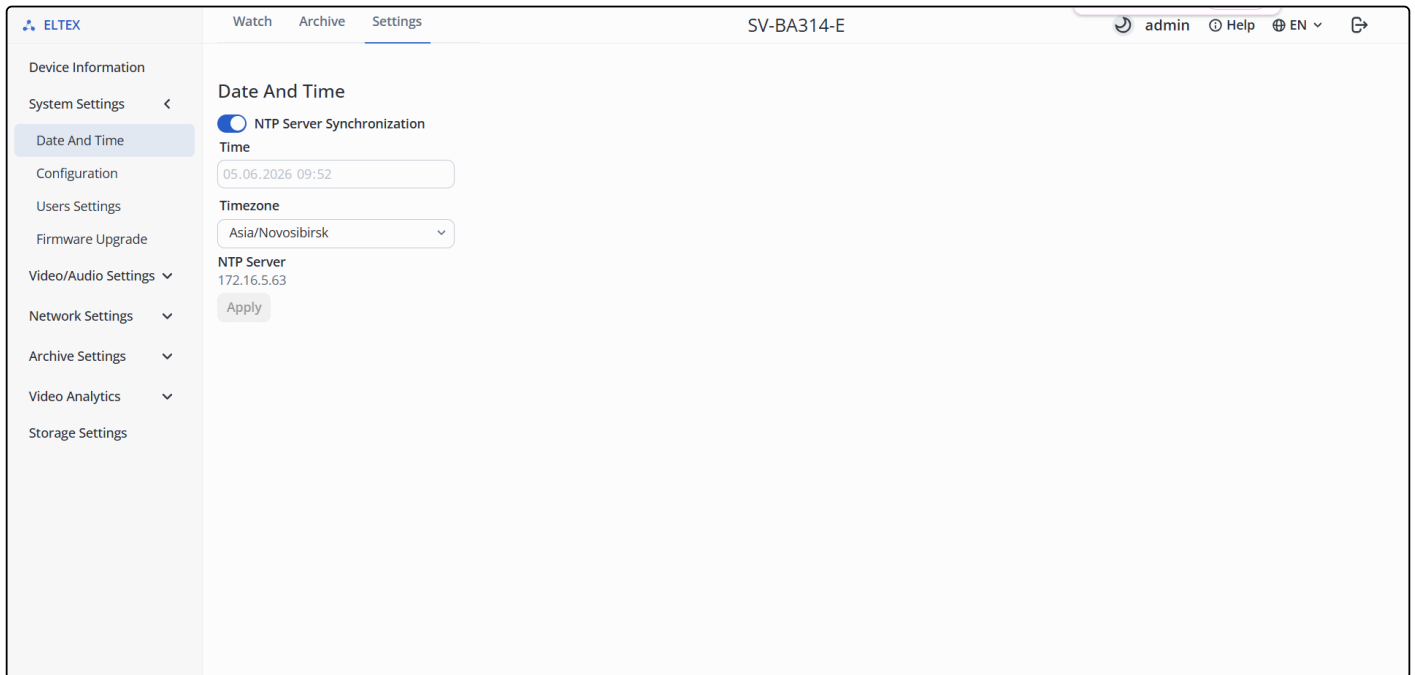
4.4.1 "Device Information" menu



1. Menu tabs – for grouping by categories: **Watch, Archive, Settings;**
2. Web interface theme – dark and light;
3. Username;
4. Web interface help;
5. Web interface language;
6. Logout;
7. Menu items;
8. Device information:
 - *Model* – device model name;
 - *Serial Number* – device serial number;
 - *MAC Address* – device MAC address;
 - *Firmware version* – current device firmware version.

4.4.2 "System Settings" tab

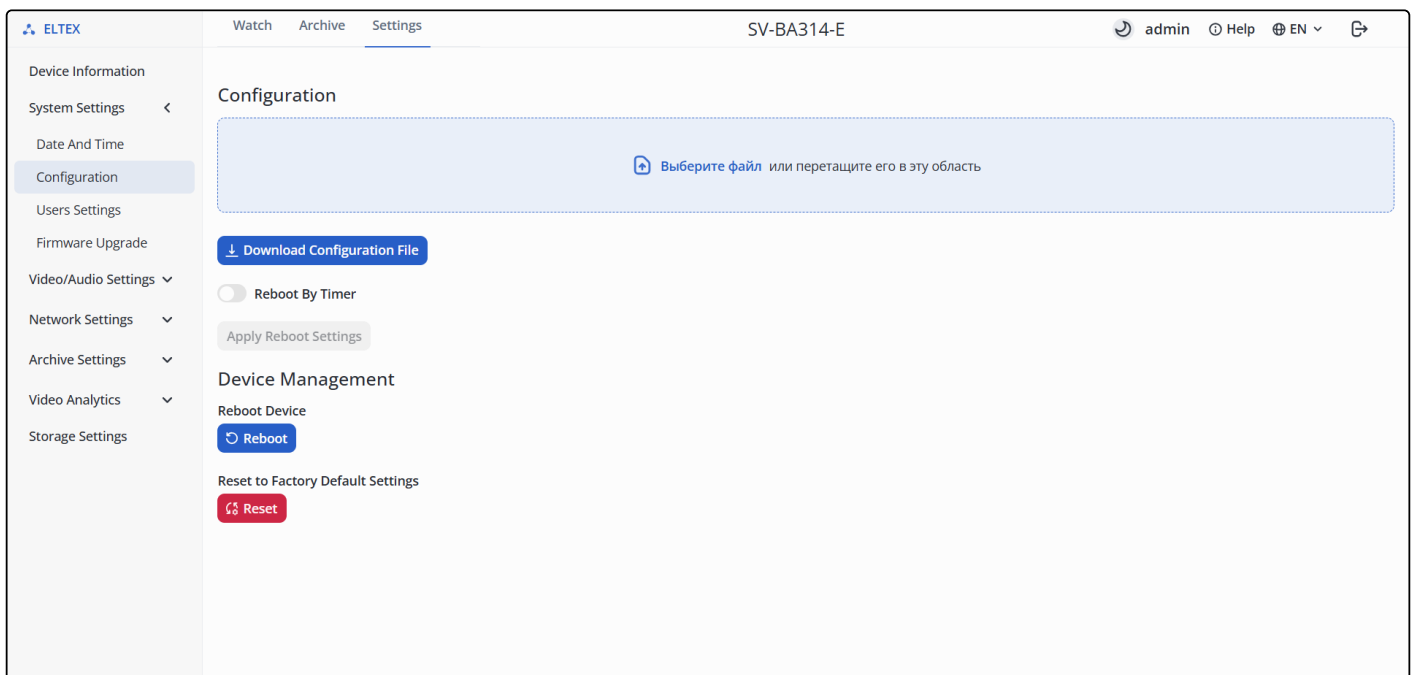
4.4.2.1 "Date And Time"



- *NTP Server Synchronization* – enabling NTP synchronization.
- *Time* – camera time. Can be edited if synchronization is not enabled;
- *Timezone* – camera time zone;
- *NTP-сервер* – адр
- *NTP Server* – NTP server address;

To save the settings, click the "Apply" button.

4.4.2.2 "Configuration"



- **Configuration** – section for working with the device configuration:
 - *Download Configuration File* – export the device configuration for further use.
- **Reboot By Timer** – section for configuring automatic weekly reboot:
 - *Day* – the day of the week when the reboot will occur;
 - *Time* – the exact time when the reboot will occur.
- **Device Management:**
 - Reboot Device;
 - Reset to Factory Default Settings.

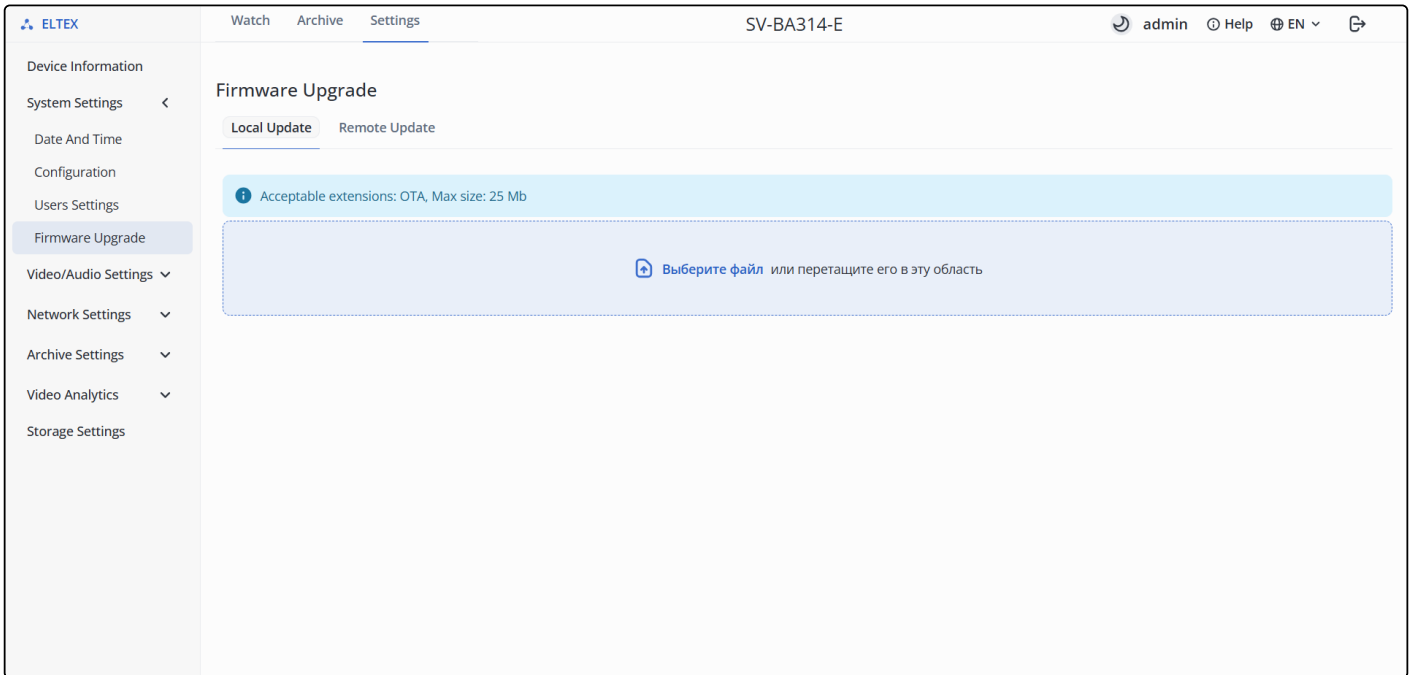
To save the settings, click the "Apply" button.

4.4.2.3 "Users Settings"

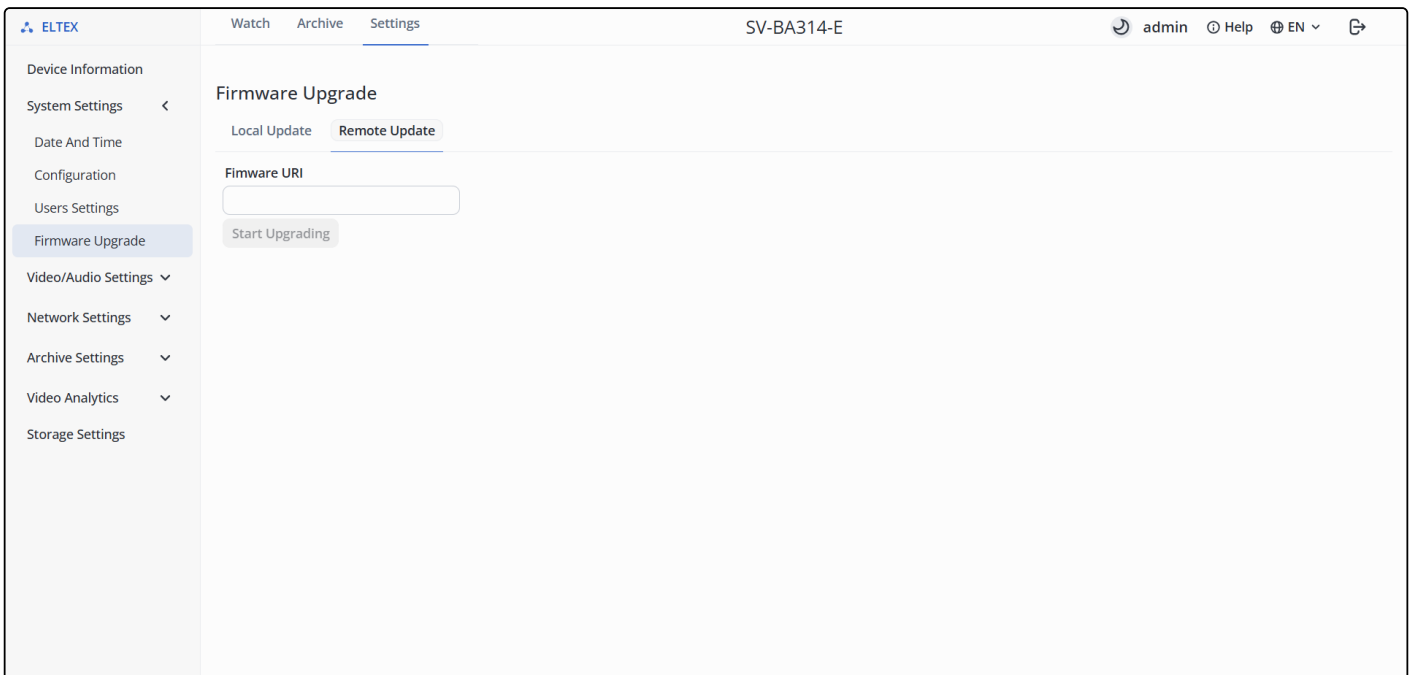
The screenshot displays the 'Settings' page for the SV-BA314-E camera. The left sidebar contains navigation options: Device Information, System Settings, Date And Time, Configuration, Users Settings (selected), Firmware Upgrade, Video/Audio Settings, Network Settings, Archive Settings, Video Analytics, and Storage Settings. The main content area is divided into two sections: 'Users Settings' and 'Groups Settings'. The 'Users Settings' section contains a table with columns for User Name, Password, and Group Name. A single user is listed: 'admin (It is you)' with a masked password '*****' and the group 'administrator'. Below this table is a '+ Create' button. The 'Groups Settings' section contains a table with columns for Group Name and Allowed pages. A single group is listed: 'administrator' with a long list of allowed pages including Video Watching, Archive, Device Information, System Settings, Date and Time, Configuration, Users Settings, System Settings > Firmware Upgrade, Video Settings > Stream Settings, Video Settings > RTSP, Video Settings > Audio Settings, Video Settings > Sensor Settings, Video Settings > OSD Parameters, Network Settings > Network, Network Settings > ONVIF, Network Settings > Additional Settings, Network Settings > System Log, Archive settings > Schedule, Archive settings > Record parameters, Storage Settings, and Video Analytics. Below this table is another '+ Create' button.

- **Users Settings** – creating a camera user for interaction with the web interface:
 - *User Name* – user login;
 - *Password* – user password;
 - *Group Name* – group with specific access rights;
 - **Actions:**
 - *Edit* – change existing user parameters;
 - *Remove* – delete user.
 - *Create* – create a new user group.
- **Group Settings** – group and access rights settings:
 - *Group Name* – group name;
 - **Actions:**
 - *Edit* – change existing user parameters;
 - *Remove* – delete group.

4.4.2.4 "Firmware Upgrade"



- *Local Update* – firmware update via a file downloaded to the device.

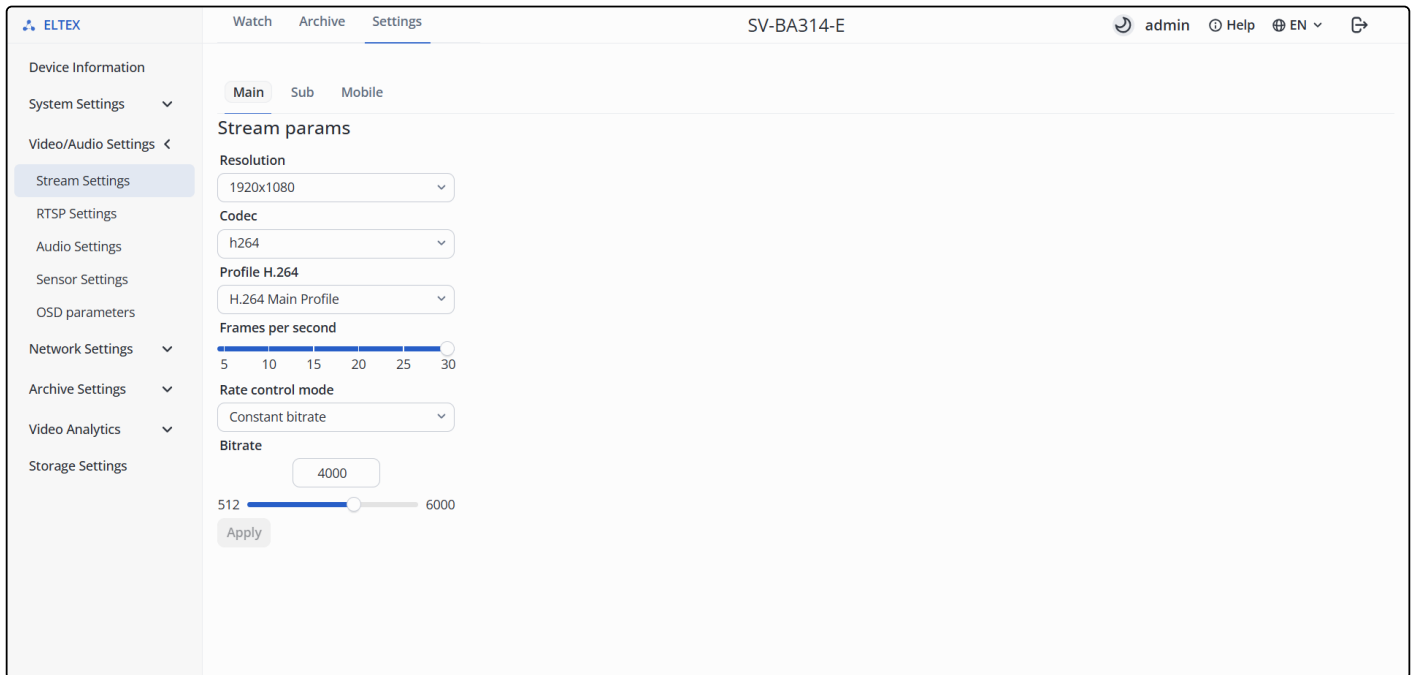


- *Remote Update* – update via a URI link from which the camera can download the firmware for the update.

To start the update, press the "Start Upgrading" button.

4.4.3 "Video/Audio Settings"

4.4.3.1 "Stream Settings"



- **Streams:**
 - *Main* – main stream, has the best broadcast quality;
 - *Secondary* – secondary stream, has average broadcast quality;
 - *Mobile* – mobile stream, has low broadcast quality.
- **Stream params:**
 - *Resolution* – selection of the image resolution transmitted from the camera:
 - 1280 × 720;
 - 1920 × 1080;
 - 2560 × 1440.
 - *Codec* – selection of the video compression standard:
 - H.264;
 - H.265.
 - *Profile* – selection of codec feature set:
 - H.264 High Profile;
 - H.264 Main Profile.
 - *Frames per second* – number of frames that will be transmitted per second. The maximum frequency is 30 frames per second;
 - *Rate control mode* – stream encoding mode:
 - *Constant bitrate* – mode in which the stream has a constant bitrate set in the "Bitrate" field;
 - *Variable bitrate* – mode in which the stream has a variable bitrate. The bitrate varies with the complexity of the image but does not exceed the "Maximum bitrate" value and on average adheres to the "Bitrate" value.
 - *Bitrate* – amount of information transmitted by the camera. Increasing this parameter proportionally increases the quality of the transmitted image. Maximum bitrate – 6000 kbps.

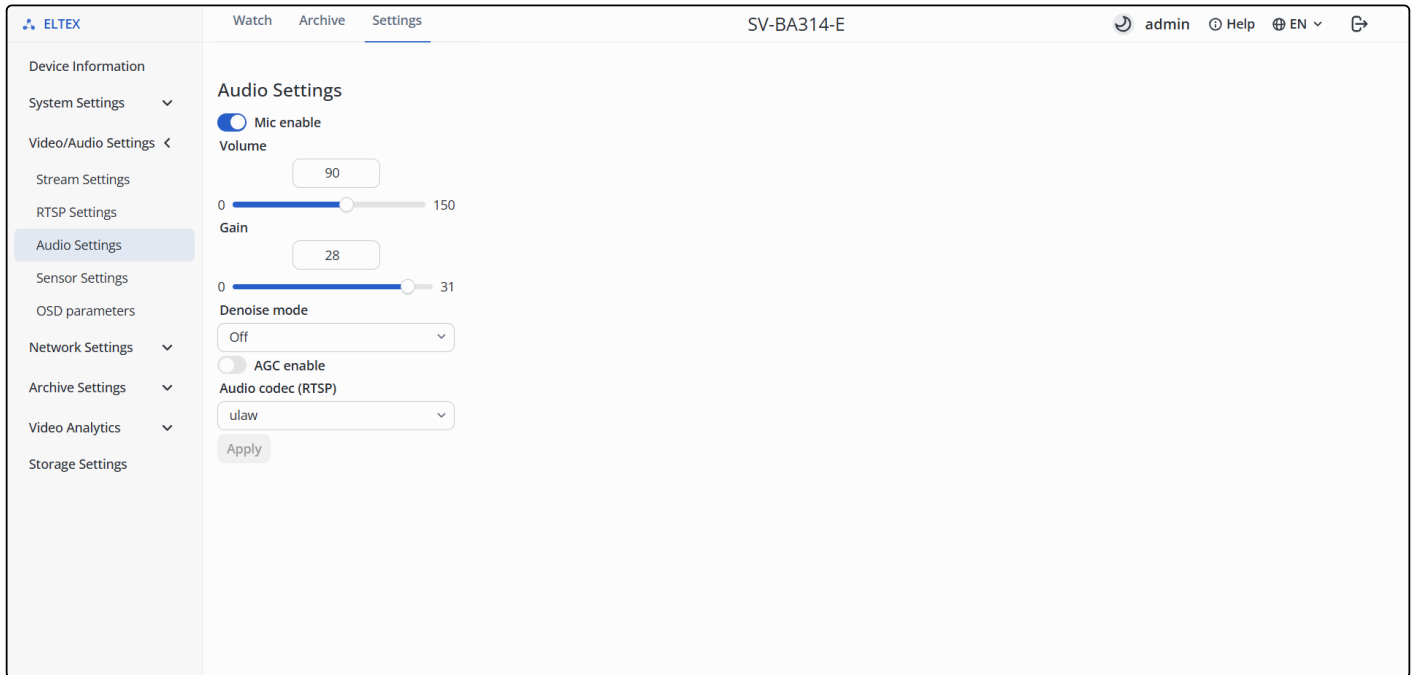
To save the settings, click the "Apply" button.

4.4.3.2 "RTSP Settings"

- **Streams:**
 - *Main* – main stream, has the best broadcast quality;
 - *Secondary* – secondary stream, has average broadcast quality;
 - *Mobile* – mobile stream, has low broadcast quality.
- **Stream params** – section for configuring RTSP streaming:
 - *Enabled* – enable and disable the stream;
 - *Audio* – enable and disable audio in the stream;
 - *Stream URL* – link to the selected stream considering the fields "Login", "Password", and "Port" in the "Common params" section;
- **Common params:**
 - *Login* – username up to 63 characters in Latin alphabet and numbers;
 - *Password* – user password up to 63 characters in Latin alphabet and numbers;
 - *Port* – port through which the stream can be obtained from the RTSP server.

To save the settings, click the "Apply" button.

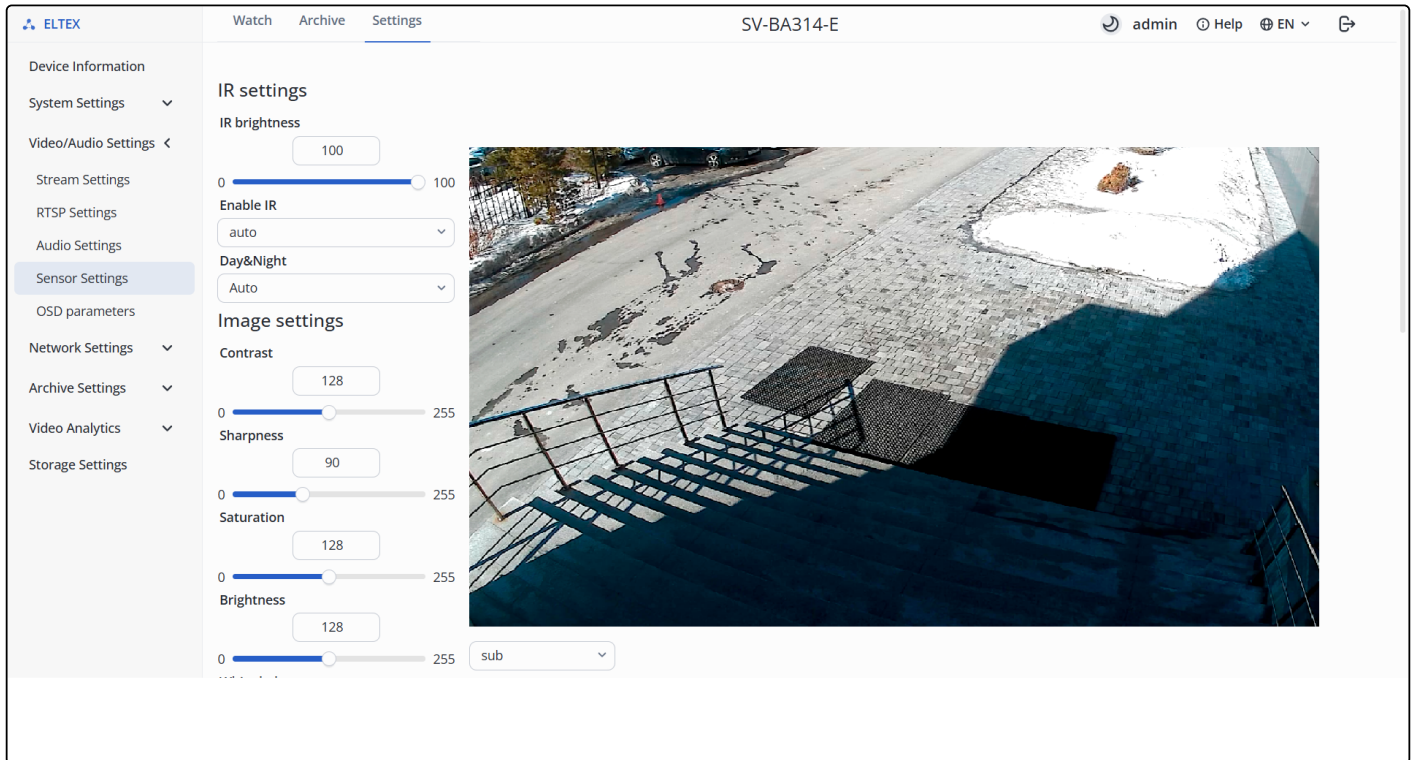
4.4.3.3 "Audio Settings"



- *Mic enable* – enabling and disabling the microphone;
- *Volume* – microphone volume. Maximum value – 150 dB;
- *Gain* – microphone volume gain. Maximum value – 31 dB;
- *Denoise mode*:
 - *Off* – noise damping off;
 - *Low* – low noise damping;
 - *Medium* – medium noise damping;
 - *High* – high noise damping;
 - *Max* – maximum noise damping.
- *AGC enable*:
 - *Volume* – automatic microphone gain volume;
 - *Gain* – microphone volume gain.
- *Audio codec (RTSP)* – selection of audio compression standard:
 - *raw*;
 - *alaw*;
 - *ulaw*;
 - *aac*.

To save the settings, click the "Apply" button.

4.4.3.4 "Sensor Settings"



- **IR settings:**
 - *IR brightness*;
 - *Enable IR*:
 - off;
 - on;
 - auto.
 - *Day&Night* – selection of infrared illumination mode:
 - *Auto* – automatic switching between day and night mode based on light level;
 - *Day* – infrared illumination is always off;
 - *Night* – infrared illumination is always on.
- **Image settings:**
 - *Contrast* – image contrast. It is possible to set a value in the range from 0 to 255. The default value is 128;
 - *Sharpness* – image sharpness. It is possible to set a value in the range from 0 to 255. The default value is 90;
 - *Saturation* – image saturation. It is possible to set a value in the range from 0 to 255. The default value is 128;
 - *Brightness* – image brightness. It is possible to set a value in the range from 0 to 255. The default value is 128;
 - *White balance* – used to adjust the color temperature depending on the environment:
 - *auto* – automatic configuration;
 - *day* – daylight;
 - *cloud* – cloudy;
 - *inc* – incandescent lamp;
 - *fluo* – fluorescent light;
 - *twi* – twilight;
 - *shade* – shade;
 - *warm_fluo* – warm fluorescent light.
 - *Image orientation* – camera image management:

- *Default* – camera transmits the image as the user sees it with their own eyes;
- *Vertical Flip* – image is reflected along the vertical axis;
- *Horizontal Flip* – image is reflected along the horizontal axis;
- *180 Rotation* – image is reflected vertically and horizontally, thus providing an image as in "Standard" mode for a physically inverted camera.

The screenshot shows a settings menu with two main sections: 'Image orientation' and 'Image enhancement'.

Image orientation

- Default (selected)
- Vertical Flip
- Horizontal Flip
- 180 Rotation

Image enhancement

Antiflicker

off (dropdown menu)

Backlight compensation

0 (slider, range 0 to 10)

2D Denoiser

128 (slider, range 0 to 255)

3D Denoiser

128 (slider, range 0 to 255)

Defog (toggle, off)

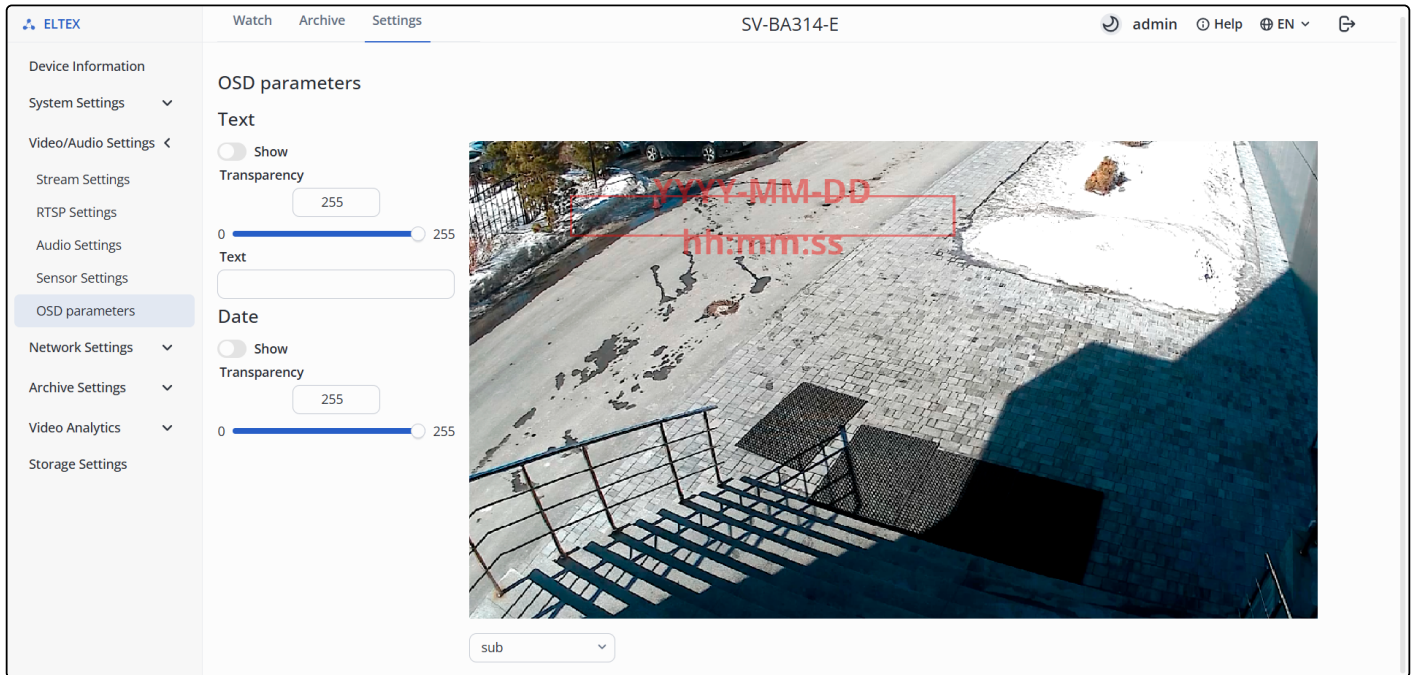
Electronic Image Stabilization (EIS) (toggle, off)

DWDR

Enable DWDR (toggle, off)

- *Image enhancement*:
 - *Antiflicker* – compensation for lamp flicker from power grids of different frequencies:
 - off;
 - 50 Hz;
 - 60 Hz.
 - *Backlight compensation* – elimination of darkening when the object is against a bright light source. It is possible to set a value in the range from 0 to 10;
 - *2D Denoiser* – noise damping in each frame by analyzing neighboring pixels. It is possible to set a value in the range from 0 to 255. Default value – 128;
 - *3D Denoiser* – noise damping by analyzing both neighboring pixels and changes between frames. It is possible to set a value in the range from 0 to 255. Default value – 128;
 - *Defog* – increasing image clarity and contrast in poor visibility conditions caused by fog or haze:
 - *Strength* – it is possible to set a value in the range from 0 to 255.
- *DWDR*:
 - *Enable WDR* – improving image visibility with any lighting level fluctuations:
 - *Strength* – degree of brightening dark areas. It is possible to set a value in the range from 0 to 255;
 - *Highlight* – degree of suppression of bright areas. It is possible to set a value in the range from 0 to 10.

4.4.3.5 "OSD parameters"



- **OSD** – On-Screen Display, text displayed on the screen;
 - **Text:**
 - **Show** – enable the display of user text;
 - **Transparency** – transparency of the displayed text. It is possible to set a value in the range from 0 to 255;
 - **Text** – field for entering text to display.
 - **Date:**
 - **Show** – enable the display of the date;
 - **Transparency** – transparency of the displayed date. It is possible to set a value in the range from 0 to 255.

4.4.4 "Network" menu

4.4.4.1 "Network Parameters"

The screenshot shows the ELTEX web interface for device SV-BA314-E. The top navigation bar includes 'Watch', 'Archive', and 'Settings' (selected). The left sidebar lists various settings categories, with 'Network' highlighted. The main content area displays 'Network Settings' with the following fields:

- Mode:** A dropdown menu currently set to 'Auto'.
- IP Address:** A text input field containing '192.168.1.123'.
- Network Mask:** A dropdown menu currently set to '255.255.255.0'.
- Dns List:** A text input field with a '+' button to add entries.
- Default Gateway:** A text input field.

An 'Apply' button is located at the bottom of the settings area.

- **Mode:**
 - *Auto* – obtaining all settings via DHCP;
 - *Manual* – setting all network parameters manually:
 - *IP Address*;
 - *Network Mask*;
 - *Dns List* – addresses of DNS servers;
 - *+* – adding a backup DNS server;
 - *Default Gateway*.

To save the settings, click the "Apply" button.

4.4.4.2 "ONVIF Settings"

The screenshot shows the 'ONVIF Settings' page for device SV-BA314-E. The interface includes a left sidebar with navigation options like 'Device Information', 'System Settings', 'Video/Audio Settings', 'Network Settings', 'ONVIF Settings', 'Additional Settings', 'System Log', 'Archive Settings', 'Video Analytics', and 'Storage Settings'. The main content area is titled 'ONVIF Settings' and contains the following elements:

- A notification: "Ports are reserved by system: 23, 80, 443, 554, 1000, 6667, 6969, 8090, 8091, 8092, 8093, 9987, 9988."
- An 'Enabled' toggle switch, which is currently turned on.
- A 'Port' input field containing the value '1000'.
- A 'Users' section with a table:

Login	Password	Rights
Admin	Password	Administrator
- A '+ Add' button to create a new user.
- An 'Apply' button to save the settings.

- *Enabled* – enabling the ONVIF protocol;
- *Port* – port through which the camera will interact with control systems via the ONVIF protocol. By default, port 1000 is used;


⚠ When configuring ports, it is necessary to pay attention to the ports reserved by the system to avoid port conflicts. Ports reserved by the system: 23, 80, 443, 554, 1000, 6667, 6969, 8090, 8091, 8092, 8093, 9987, 9988.

- *Users* – creating users with specific access rights:
 - *Login* – user login;
 - *Password* – user password;
 - *Rights* – user access level:
 - *Administrator* – full access to all device functions;
 - *Operator* – access to basic device functions. Cannot change settings or manage users;
 - *Media user* – limited access (view only). No rights to change configuration;
 - *Anonymous* – minimal rights (if allowed in settings). Usually view only without authorization.

To save the settings, click the "Apply" button.

4.4.4.3 "Additional Settings"

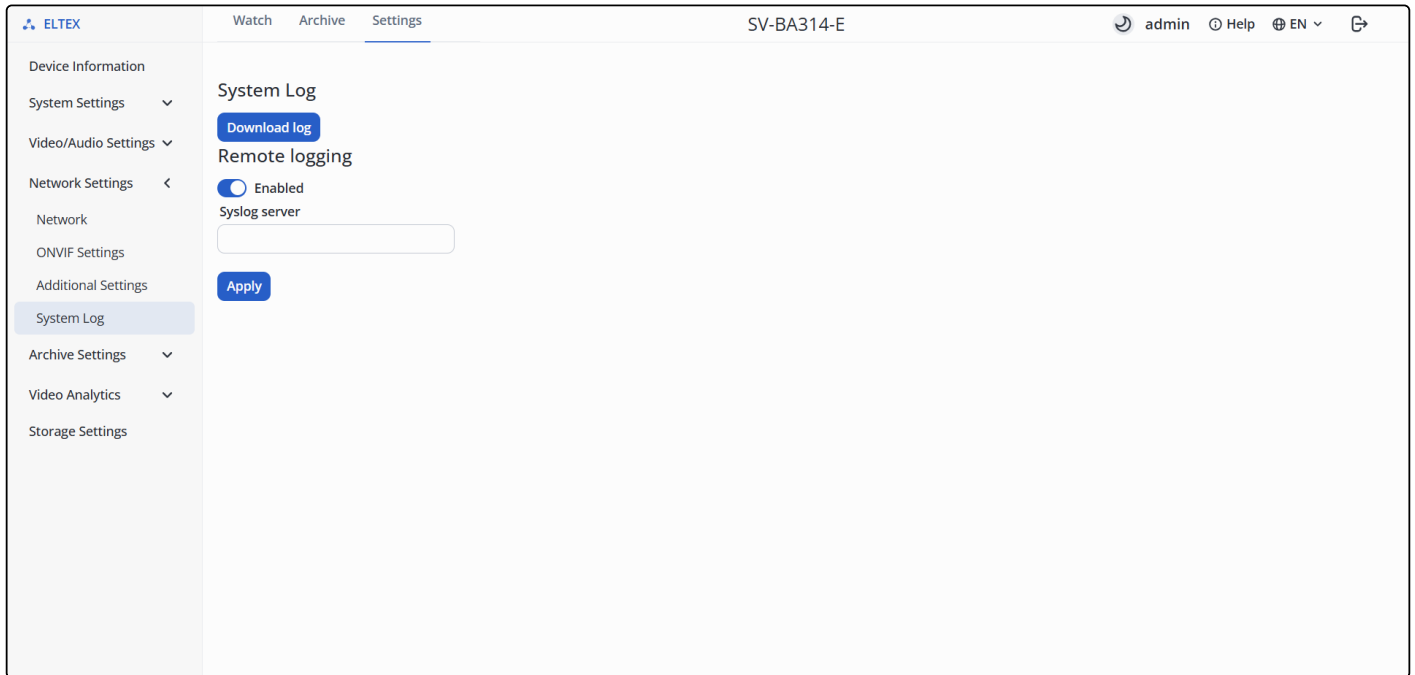
- *Enable HTTP Server* – access to the camera's web interface via the HTTP protocol;
- *HTTP Port* – port through which interaction with the camera's web interface via the HTTP protocol will be carried out. By default, port 80 is used;

 When configuring ports, it is necessary to pay attention to the ports reserved by the system to avoid port conflicts. Ports reserved by the system: 23, 80, 443, 554, 1000, 8090, 8091, 8092, 8093.

- *Enable HTTPS Server* – access to the camera's web interface via the HTTPS protocol;
- *HTTPS Port* – port through which interaction with the camera's web interface via the HTTPS protocol will be carried out. By default, port 443 is used.

To save the settings, click the "Apply" button.

4.4.4.4 "System Log"

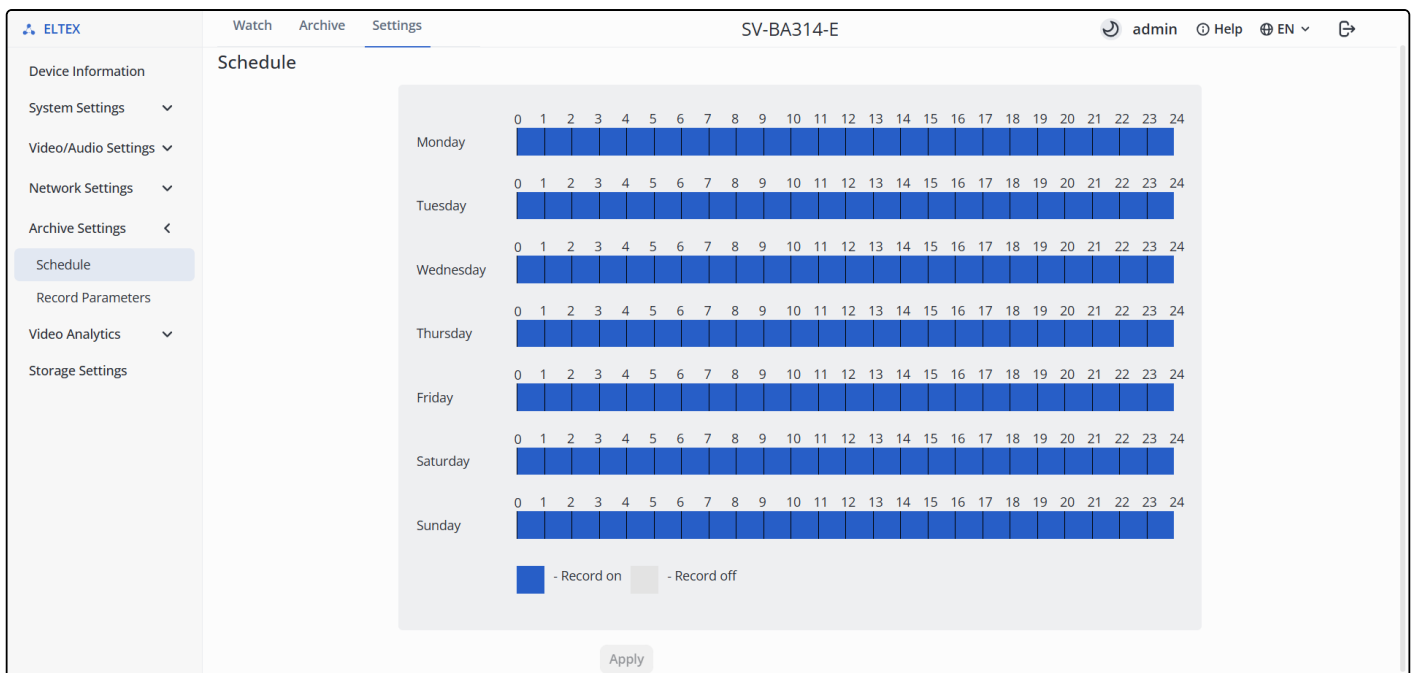


- *Download log* – download system log;
- *Remote logging* – section for configuring logs to a remote server:
 - *Syslog server* – address of the remote syslog server.

To save the settings, click the "Apply" button.

4.4.5 "Archive Settings" menu

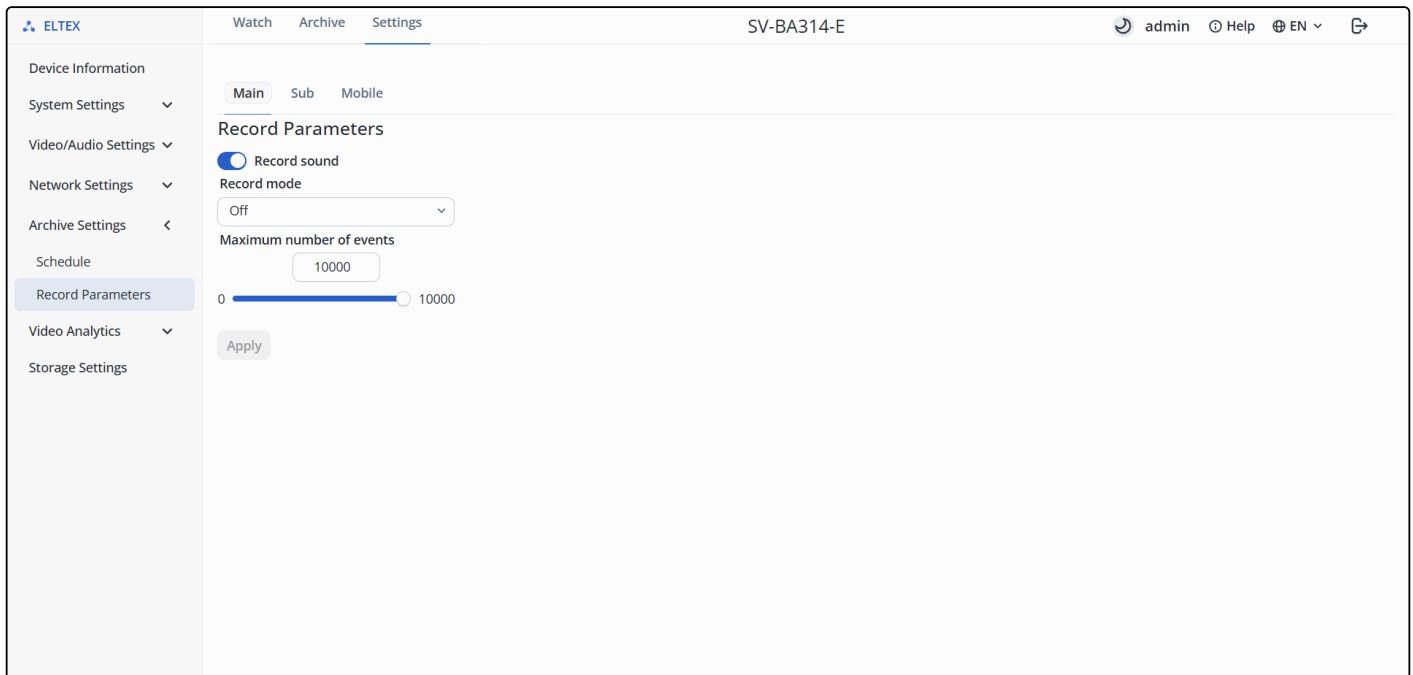
4.4.5.1 "Schedule"



- *Schedule* – setting the period during which the camera will record. To select the necessary intervals, highlight them by clicking the left mouse button.

To save the settings, click the "Apply" button.

4.4.5.2 "Record Parameters"



- *Streams*:
 - *Main* – main stream, has the best broadcast quality;
 - *Secondary* – secondary stream, has average broadcast quality;
 - *Mobile* – mobile stream, has low broadcast quality.
- *Record sound* – enable/disable the microphone during recording.
- *Record*:
 - *Permanent recording* – video recording is permanent;
 - *Event recording* – video recording occurs only when an event is detected;
 - *Off* – video recording is not conducted.
- *Maximum number of events* – saving a set number of events to a MicroSD card. If the number of events is exceeded, old recordings will be overwritten. It is possible to set a value in the range from 0 to 10000;

To save the settings, click the "Apply" button.

4.4.6 "Video Analytics" menu

⚠️ Only one video analytics feature can be used simultaneously. Trying to enable a second video analytics feature will disable the first one.

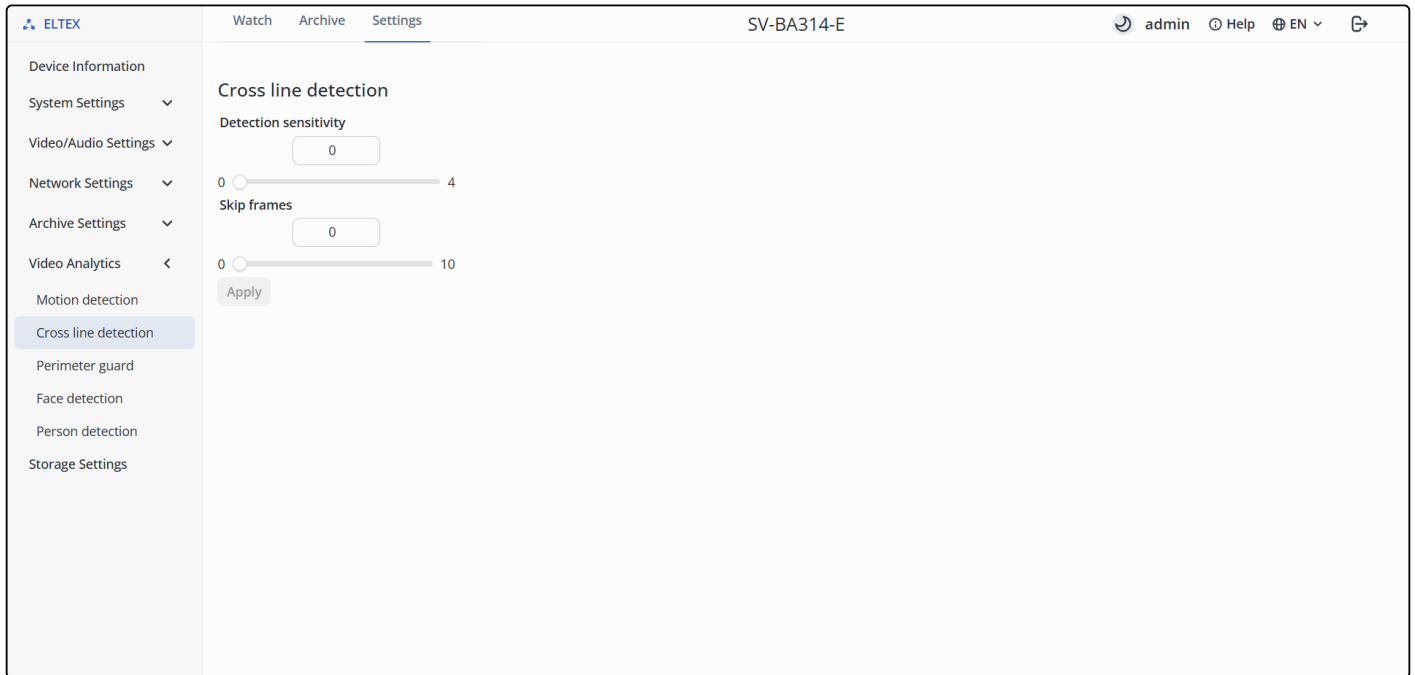
4.4.6.1 "Motion detection"

- **Motion detection:**
 - *Enable* – enable/disable video analytics for **Motion detection**.
 - *Detection sensitivity* – parameter that controls the sensitivity of motion detection. Sensitivity values range from 0 to 4; the higher the value, the smaller the objects that will be detected.
 - *Skip frames* – parameter that determines how many intermediate frames the algorithm skips between scene analysis points. During scene analysis, every n frame will be used, where n can range from 0 to 10.
- **Detection area type:**
 - *Grid* – type of detection area consisting of cells;
 - *Select all* – selects all cells on the screen;
 - *Clean all* – deselects all cells on the screen;
 - *Number of cells on the x-axis* – number of cells along the horizontal axis;
 - *Number of cells on the y-axis* – number of cells on the vertical axis.

To select a cell in the preview, click the left mouse button. To deselect it, click the right mouse button.

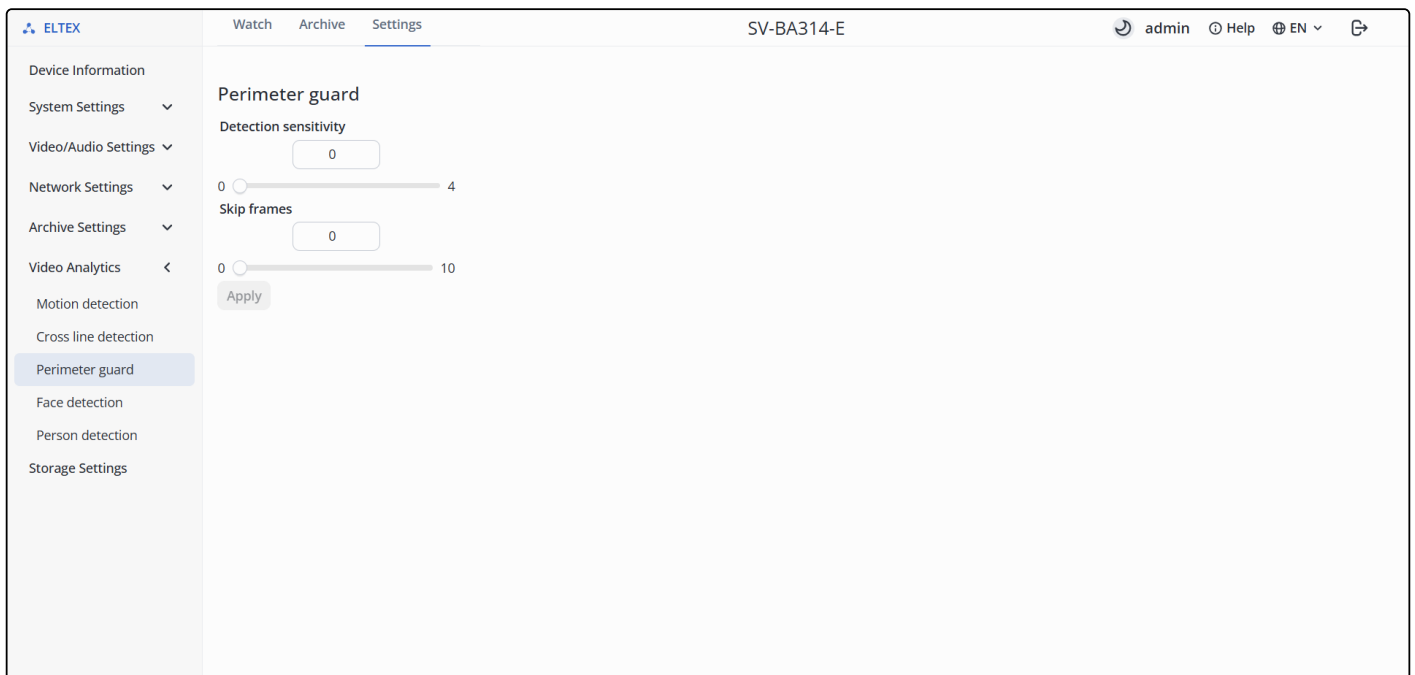
To save the settings, click the "Apply" button.

4.4.6.2 "Cross line detection"



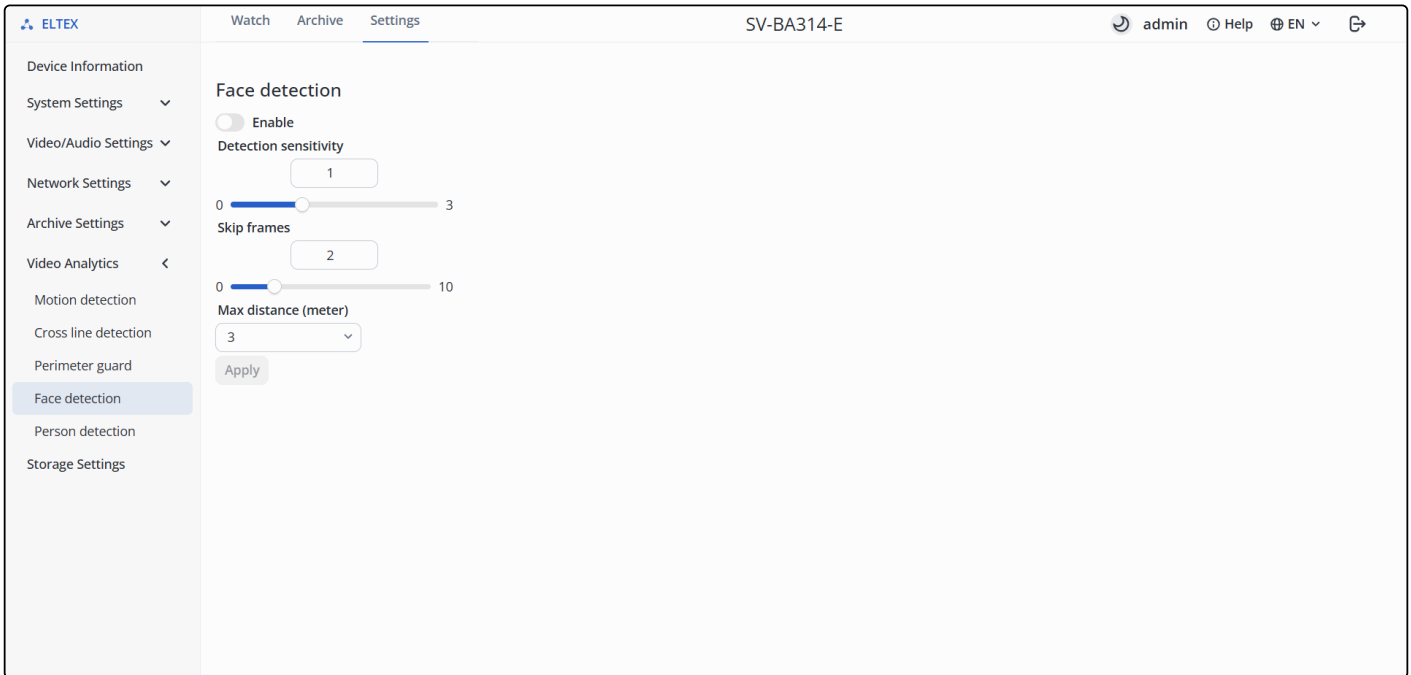
Support for the **Cross line detection** video analytics feature is currently under development.

4.4.6.3 "Perimeter guard"



Support for **Perimeter guard** video analytics is currently under development.

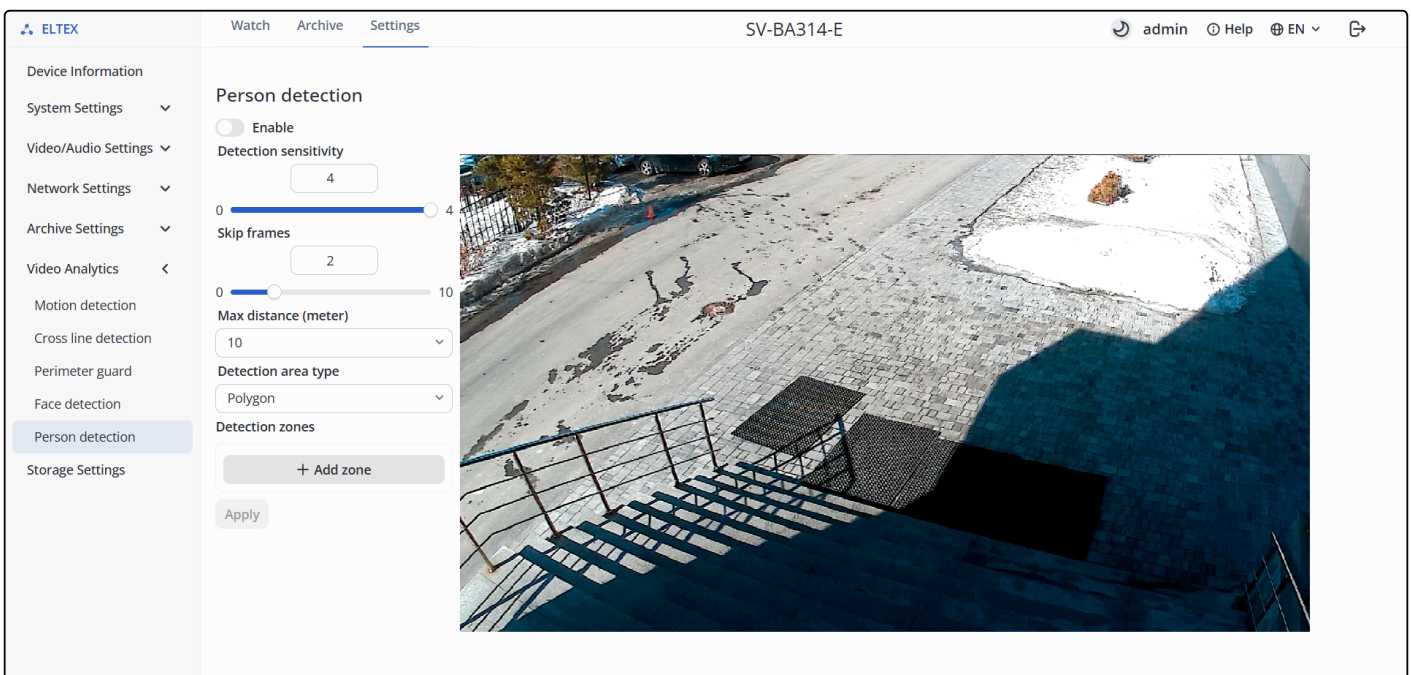
4.4.6.4 "Face detection"



- **Enable** – enable/disable video analytics for **Face detection**
- **Detection sensitivity** – parameter that controls the sensitivity of face detection. Sensitivity values range from 0 to 3; the higher the value, the smaller the objects that will be detected;
- **Skip frames** – parameter that determines how many intermediate frames the algorithm skips between scene analysis points. During scene analysis, every n frame will be used, where n can range from 0 to 10.
- **Max distance (meter)** – maximum distance at which face detection will work; this parameter is specified in meters.

To save the settings, click the "Apply" button.

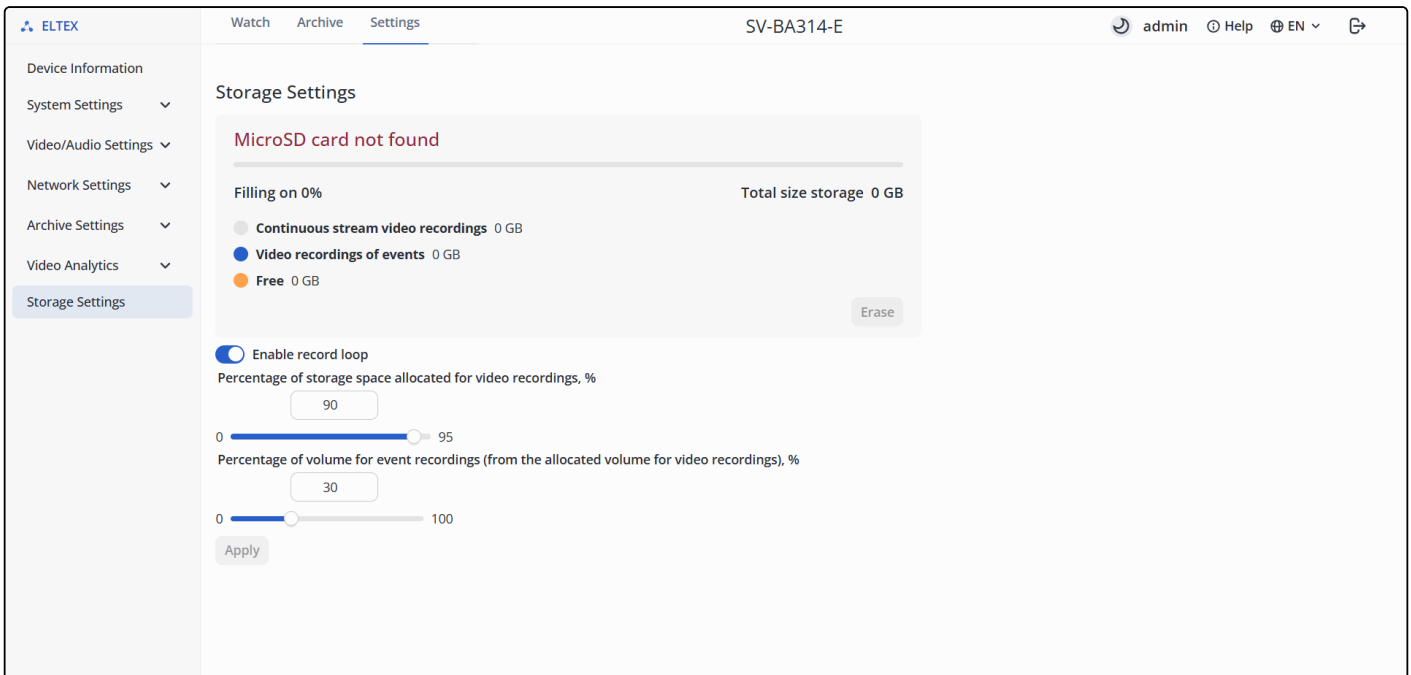
4.4.6.5 "Person detection"



- **Person detection:**
 - **Enable** – enable/disable video analytics for **Person detection**
 - **Detection sensitivity** – parameter that controls the sensitivity of person detection. Sensitivity values range from 0 to 4; the higher the value, the smaller the objects that will be detected.
 - **Skip frames** – parameter that determines how many intermediate frames the algorithm skips between scene analysis points. During scene analysis, every n frame will be used, where n can range from 0 to 10.
- **Detection area type:**
 - **Polygon** – type of detection area consisting of an arbitrary polygon;
 - **Rectangle** – type of detection area consisting of arbitrary rectangles.
 - **Full screen** – detection area that covers the entire screen.

To save the settings, click the "Apply" button.

4.4.7 "Storage Settings" menu



- **Erase** – formatting the MicroSD card for archive recording;
- **Enable record loop** – when the storage is full, old recordings will be overwritten with new ones.
- **Percentage of storage space allocated for video recordings, %** – indicates what part of the total storage volume will be used for storing video. It is possible to set a value in the range from 0 to 100;
- **Percentage of volume for event recordings (from the allocated volume for video recordings), %** – indicates how much space from this volume will be allocated for event recordings. It is possible to set a value in the range from 0 to 100;

✓ When recording two streams with different recording modes, the storage volume is divided according to the set parameters.

To save the settings, click the "Apply" button.

TECHNICAL SUPPORT

For technical assistance in issues related to handling Eltex Ltd. equipment, please, address to Service Center of the company:

<https://eltex-co.com/support/>

You are welcome to visit Eltex official website to get the relevant technical documentation and software, to use our knowledge base or consult a Service Center Specialist.

<https://eltex-co.com/>

<https://eltex-co.com/support/downloads/>