

- Battery-powered
- Support for Matter over Thread protocol
- Operation in smart home scenarios



ST-MCT is a magnetic contact sensor that operates under Matter over Thread technology. When a controlled door or window is opened or closed, the sensor sends a signal to the smart home hub. The device is battery-powered and can be installed in any location without wires.

Eltex smart home

ST-MCT is part of the Eltex smart home ecosystem based on the ELIS (Eltex IoT System) platform. Users manage smart devices and sensors via a smart home hub using an iOS or Android mobile device with the Eltex Home app installed. It can be downloaded from the App Store and Google Play or via the QR code below. The app is also available in Huawei AppGallery.



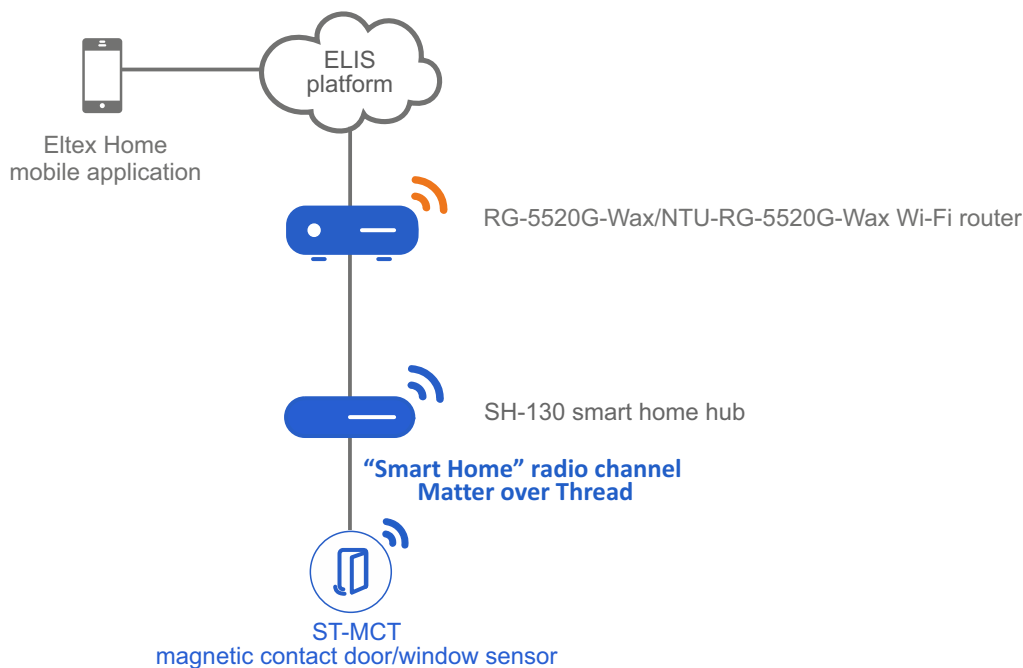
ST-MCT is part of Eltex smart home “Security” service. The sensors included in this service create a security perimeter around the home and notify of any emergency situations, such as opening doors and windows or movement in the protected area. They can operate individually or in groups, depending on the needs of the user. An Eltex SH-130 smart home hub with Matter over Thread technology support is required to connect the sensor to the network.

Technical features

General features

Power	Li-ion CR123A, 3 V
Signal frequency	2.4 GHz
Maximum distance from the hub	120 m (within line of sight)
Distance between the sensor and magnet for “Alarm” signal	≥35 mm
Distance between the sensor and magnet for “Normally closed” signal	≤25 mm
Ingress protection	IP40
Sensor/magnet dimensions (W × H × D)	21 × 96 × 21 mm
Sensor weight (including batteries)	29.5 g
Magnet weight	32.5 g
Operating temperature	from +5 to +45 °C
Operating humidity at +40 °C	up to 93 %
Maximum RF strength	+14 dBm

Use case



Usage scenarios

With the Eltex Home app, it is possible to create chains of conditions for Matter over Thread sensors and smart Wi-Fi devices to cooperate. For example, the ST-MCT sensor can be used in the following scenarios:

1. Sending a notification to the user when the door/window sensor is triggered



2. Automatic video recording when the door/window sensor is triggered



3. Switching on the light when the opening sensor is triggered



Ordering information

Name	Description
ST-MCT	Matter over Thread door/window sensor
Licences	
Eltex ELIS-1	Eltex ELIS option, 1-device package, 1 year
Eltex ELIS-100	Eltex ELIS option, 100-device package, 1 year
Eltex ELIS-500	Eltex ELIS option, 500-device package, 1 year
Eltex ELIS-1000	Eltex ELIS option, 1000-device package, 1 year
Eltex ELIS-1500	Eltex ELIS option, 1500-device package, 1 year

Contact us

About Eltex



+7 (383) 274 10 01
+7 (383) 274 48 48



eltex@eltex.ru



eltex-co.com

Eltex Enterprise is a leading Russian developer and manufacturer of communication equipment with 30 years of history. Complete solutions and their seamless integrability into the Customer's infrastructure are the priority growth areas of the company.