

- Wireless lighting control
- 2 managed channels
- Support for Matter over Wi-Fi protocol
- No neutral line required



SW-RLY11 is a wireless Wi-Fi relay designed to control lighting units in a 230 V AC electrical network. The device operates using the Matter over Wi-Fi protocol; a hub with support for Matter is required for connection. The relay enables lighting control via the Eltex Home application from anywhere in the world.

The relay supports operation with both incandescent lamps and LED light sources.

The device is housed in a compact plastic case, allowing installation in distribution boxes under the ceiling or in the wiring space for lighting units. No neutral line connection is required.

Eltex smart home

SW-RLY11 is part of the Eltex smart home ecosystem based on ELIS (Eltex IoT System). The user manages smart devices and sensors via the smart home hub using iOS or Android mobile device with the Eltex Home application installed. It can be downloaded from the App Store and Google Play or via the QR code below. The application is also available in the RuStore and Huawei AppGallery.

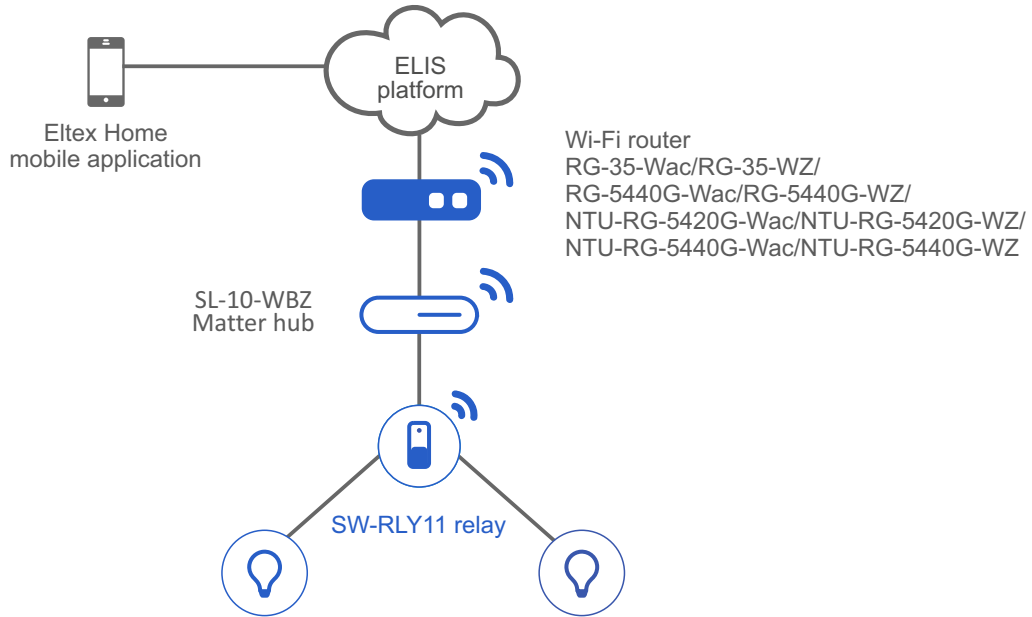


SW-RLY11 belongs to the Management service of the Eltex smart home ecosystem.

Technical features

General parameters	
WLAN	IEEE 802.1b/g/n 2.4 GHz IEEE 802.11n 5 GHz
Input voltage	230 V
Connection type	no neutral line
Number of channels	2
Maximum load per channel	800 W
Maximum LED load per channel	100 W
Maximum current per channel	3.5 A (resistive load)
Dimensions (W × H × D)	34.5 × 18 × 43.5 mm
Weight	0.034 kg
Ingress protection	IP30
Operating temperature	from +5 to +45 °C

Use case



Scenarios

With the Eltex Home application, it is possible to create chains of conditions for smart devices and sensors to work together. For example, SW-RLY11 can be used in the following scenarios:

1. Notifying the user when the smart relay is switched on and off



2. Switching the light on/off by schedule



3. Switching the light on/off when the motion sensor is triggered.



4. Switching the light on/off when the door/window sensor is triggered.



Ordering information

Name	Description
SW-RLY11	Smart Matter over Wi-Fi relay without neutral line, IEEE 802.11b/g/n 2.4 GHz, IEEE 802.1n 5 GHz 2 managed channels
Licenses	
Eltex ELIS-1	Eltex SC option, package for 1 device, 1 year
Eltex ELIS-100	Eltex SC option, package for 100 devices, 1 year
Eltex ELIS-500	Eltex SC option, package for 500 devices, 1 year
Eltex ELIS-1000	Eltex SC option, package for 1000 devices, 1 year
Eltex ELIS-1500	Eltex SC option, package for 1500 devices, 1 year

Contact us

About Eltex



+7 (383) 274 10 01
+7 (383) 274 48 48



eltex@eltex-co.ru



eltex-co.com

Eltex Enterprise is a leading Russian developer and manufacturer of communication equipment with 30 years of history. Complete solutions and their seamless integrability into the Customer's infrastructure are the priority growth areas of the company.